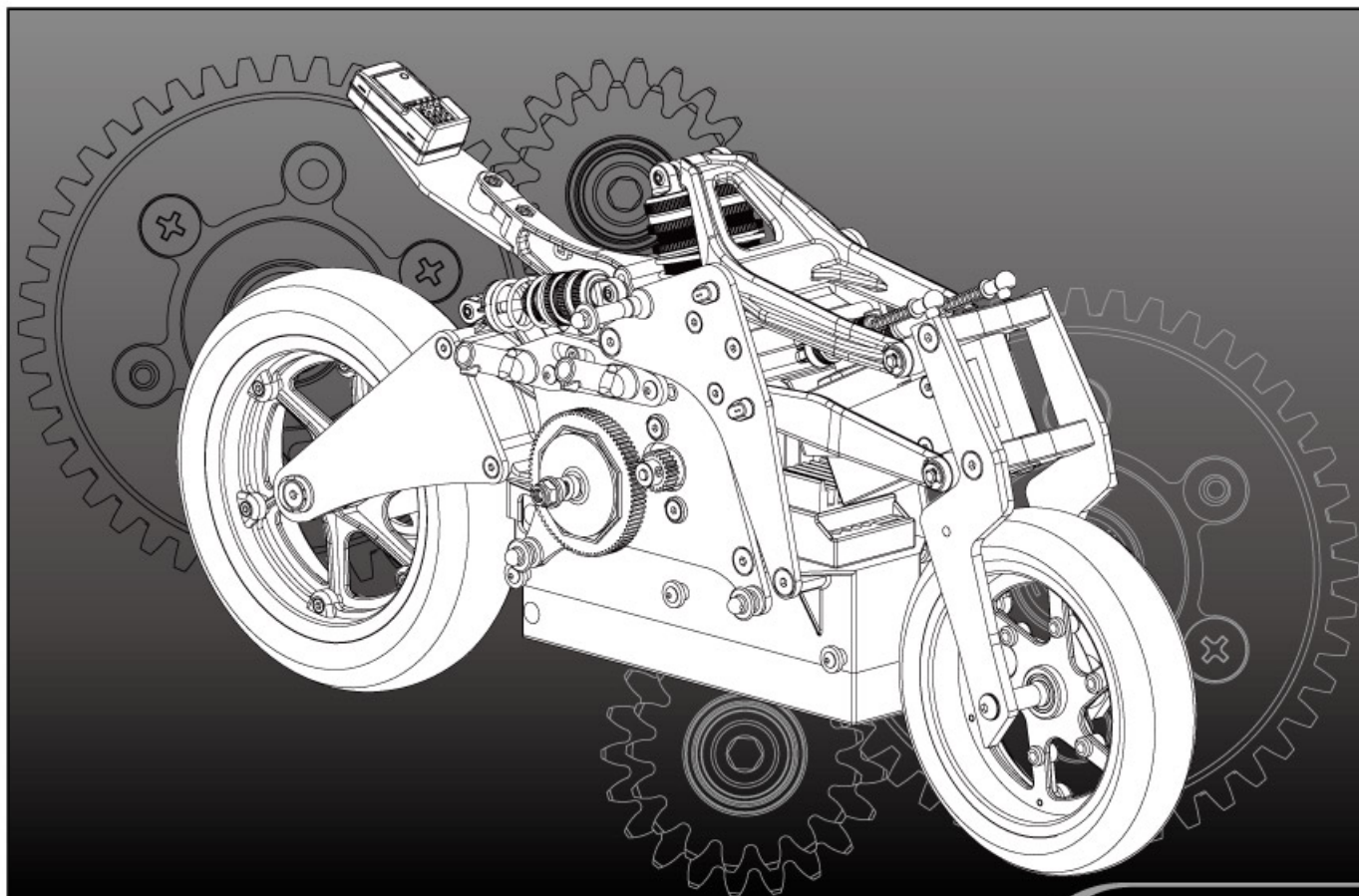




## 1 / 5 SCALE ELECTRIC SUPERBIKE



No.6573-K



This radio control model car is not a toy! Before beginning assembly, please read this manual thoroughly.

The contents are subject to change without prior notice due to product improvements and specification changes.

## Instruction Manual & Parts Catalogue

### Introduction

Thank you for purchasing this Thunder Tiger product. This manual contains the steps and instructions required to assemble your car. Please read this manual completely before attempting to start maintenance. Follow the directions in this manual closely to reduce problems during operation. We offer online help on our [www.acehobby.com](http://www.acehobby.com) or [www.thundertiger.com](http://www.thundertiger.com) and forums and our product specialists are ready to take your call if you have any technical questions. Have fun and enjoy the exciting world of R/C.



## Safety Precautions

Please read all of the instructions and familiarize yourself with the product and its controls before operation.

1. This product is not a toy. It is a high performance model therefore it is important to familiarize yourself with the model, its manual, and its construction before assembly or operation. Adult supervision is necessary for children operating this model.
2. Always keep this instruction manual on hand during assembly and for operating reference.
3. Do not use a power screwdriver to install screws into plastic parts. A power screwdriver's high rotation speed can heat up the screw being installed which can result in some melting of the plastic parts or stripped threads.
4. For best performance, it is important to make sure all the moving parts can move freely without binding.
5. This product, its parts, and its assembly tools can be harmful to your health. Always exercise extreme caution when assembling and operating this product. Keep away from any high speed rotating parts during operation.

## Items Required For Operation



Transmitter



ESC



540 Size Motor



Servo (1 : 10 CAR)

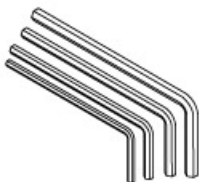


Battery

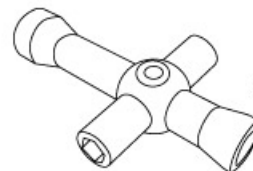


Charger

## Tools Included



Hex Wrenches  
1.5 / 2.0 / 2.5 / 3.0mm



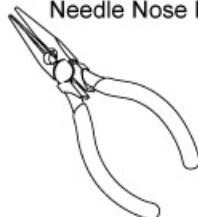
4-Way Cross Wrench

## Tools Required For Assembly

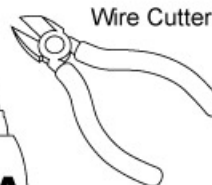
Philips Screwdrivers  
(L/M/S)



Needle Nose Pliers



Wire Cutter



Hobby Knife



Lexan Body Curved Scissor



Ruler



Super Glue  
(CA Glue)



Thread Locking Adhesive  
(Threadlocker)



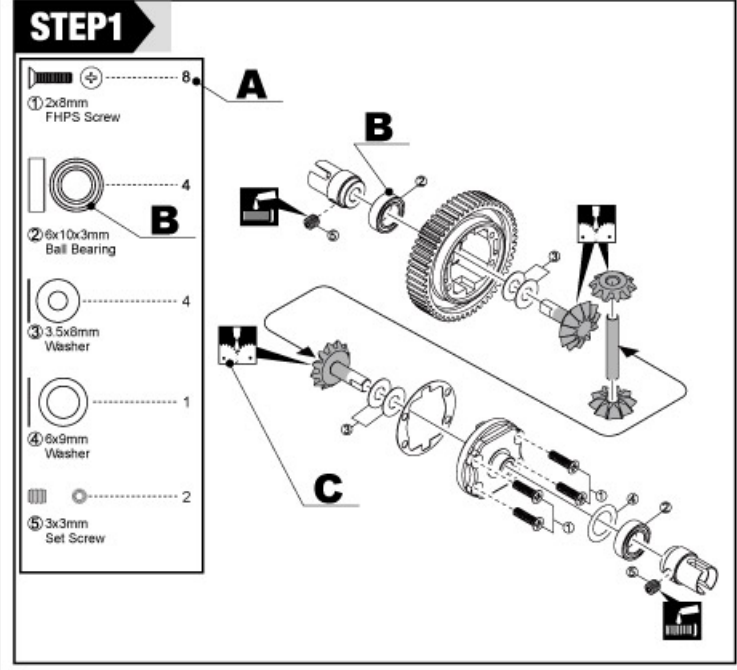
Grease

# Manual Format

## How to read the instruction manual?

- A:** The manual displays some actual size drawings, and part quantities used.
- B:** All parts, except screws, are identified by their order numbers. When purchasing spare parts, identify the part required and cross reference this to the spare parts list at the end of this manual, which shows the spare parts and the corresponding order numbers.
- C:** This instruction manual uses several symbols. Pay careful attention to them during construction. Details are given at the bottom of each page.

### Example



## Symbols Used Throughout The Manual



Apply C.A. Glue



Apply silicone oil



Assemble as many times as specified



Assemble left and right side the same way



Assemble in order



Drill holes with the specified diameter



Hint



Must be purchased separately



Cut off shaded portion



Ensure smooth, non-binding movement when assembling



Attention



Cut off excess








Apply threadlocker

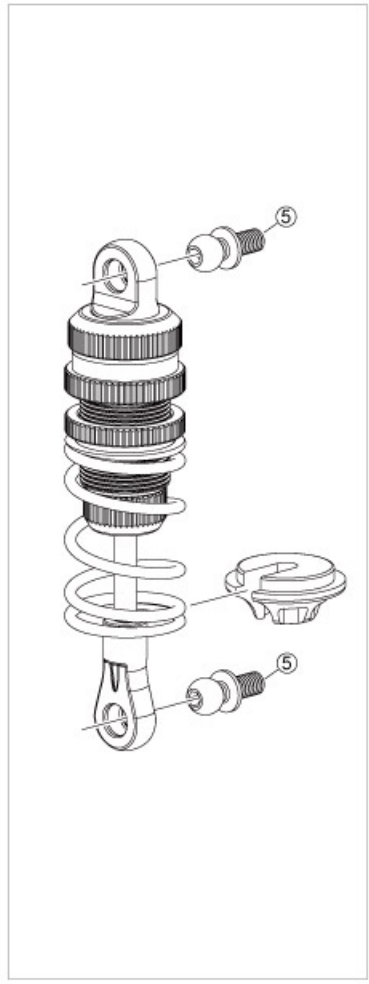
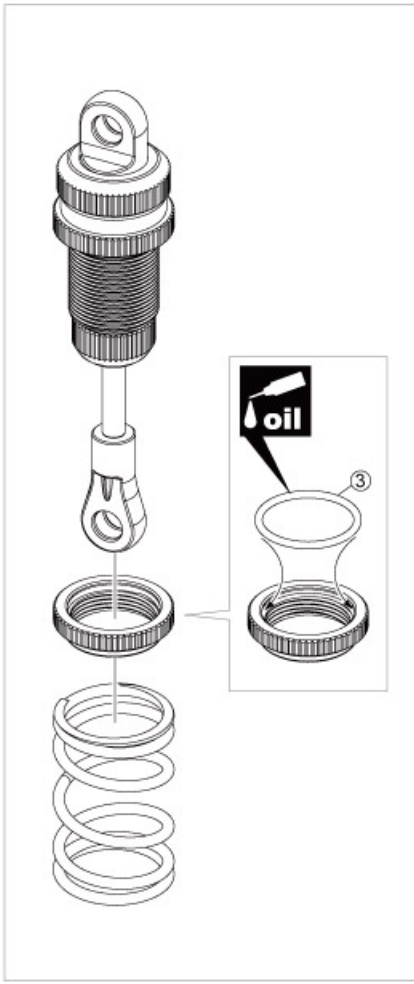
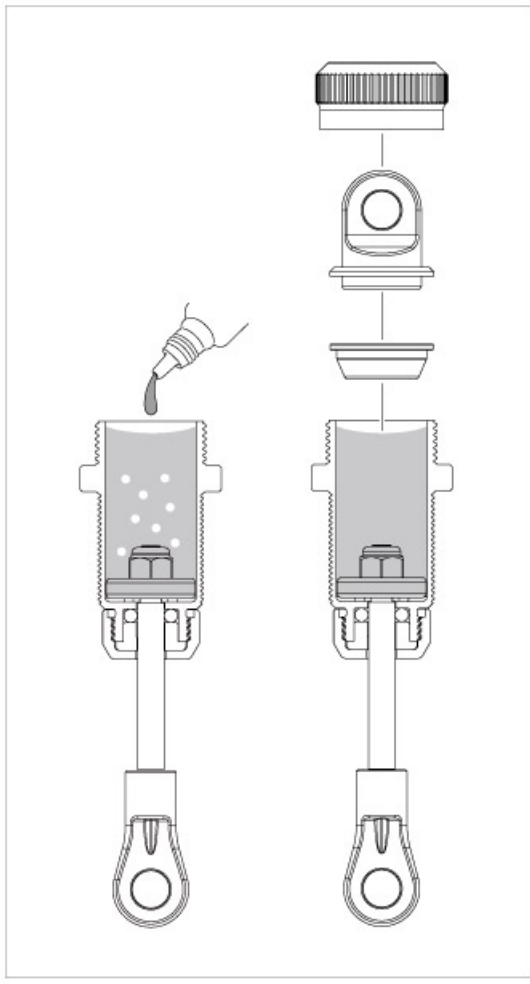
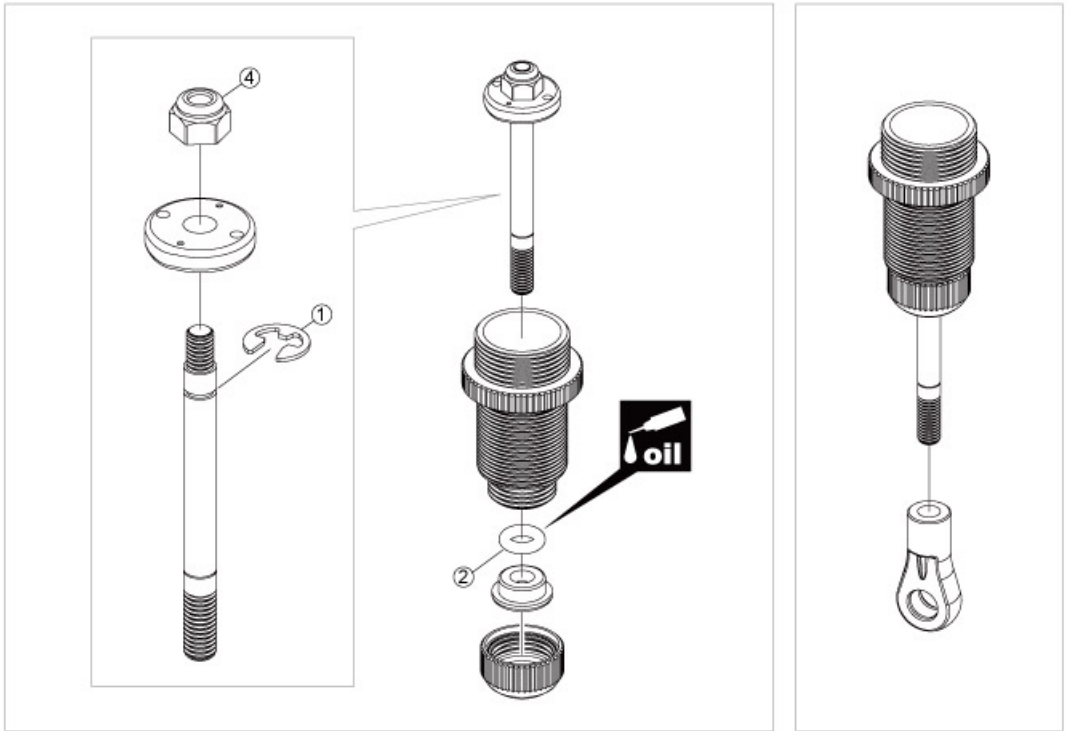



Apply grease

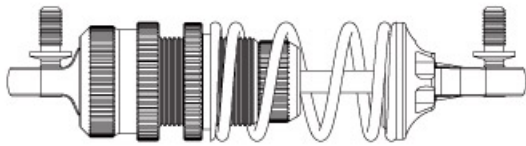
# STEP 1

bagA

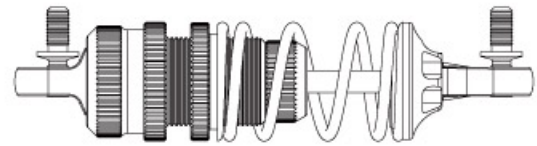
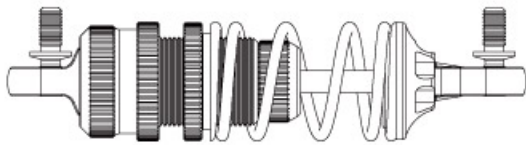
-  ..... 4  
① 2.5 mm E-CLIP
-  ..... 4  
② O-RING
-  ..... 4  
③ O-RING
-  ..... 4  
④ M 2.5 LOCK NUT
-  ..... 8  
⑤ 6 mm BALL STUD



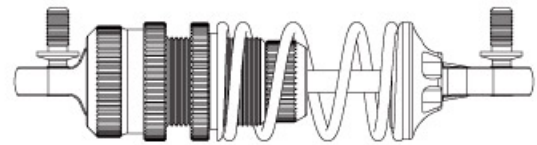
 Apply silicone oil



1 FRONT - **WHITE** SPRING x2



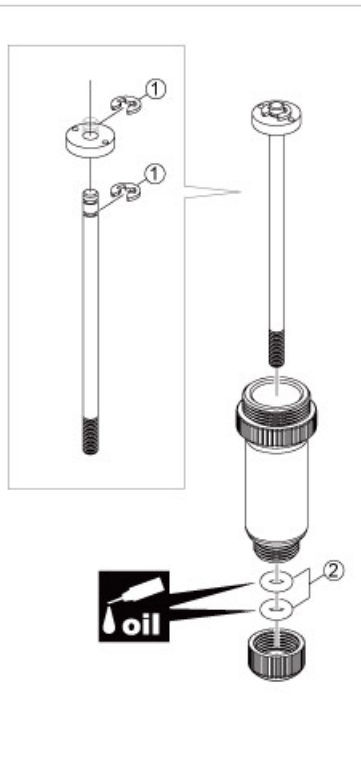
2 REAR - **ORANGE** SPRING x2



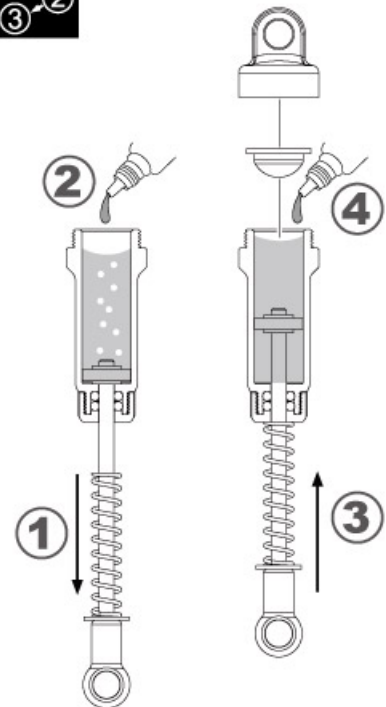
## STEP 2

bagB

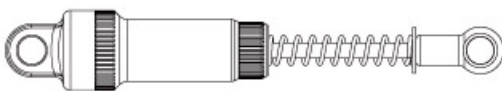
- ① 1.5 mm E-CLIP 4
- ② O-RING 4
- ③ 2.6 x 6 mm WASHER 2



- ①
- ②
- ③



- ① Fully extend shaft ③
- ② Partially add oil & Let bubbles clear ④
- ③ Push shaft in until spring touches shock body ⑤
- ④ Fill with oil & Install cap ⑥



x2





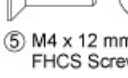


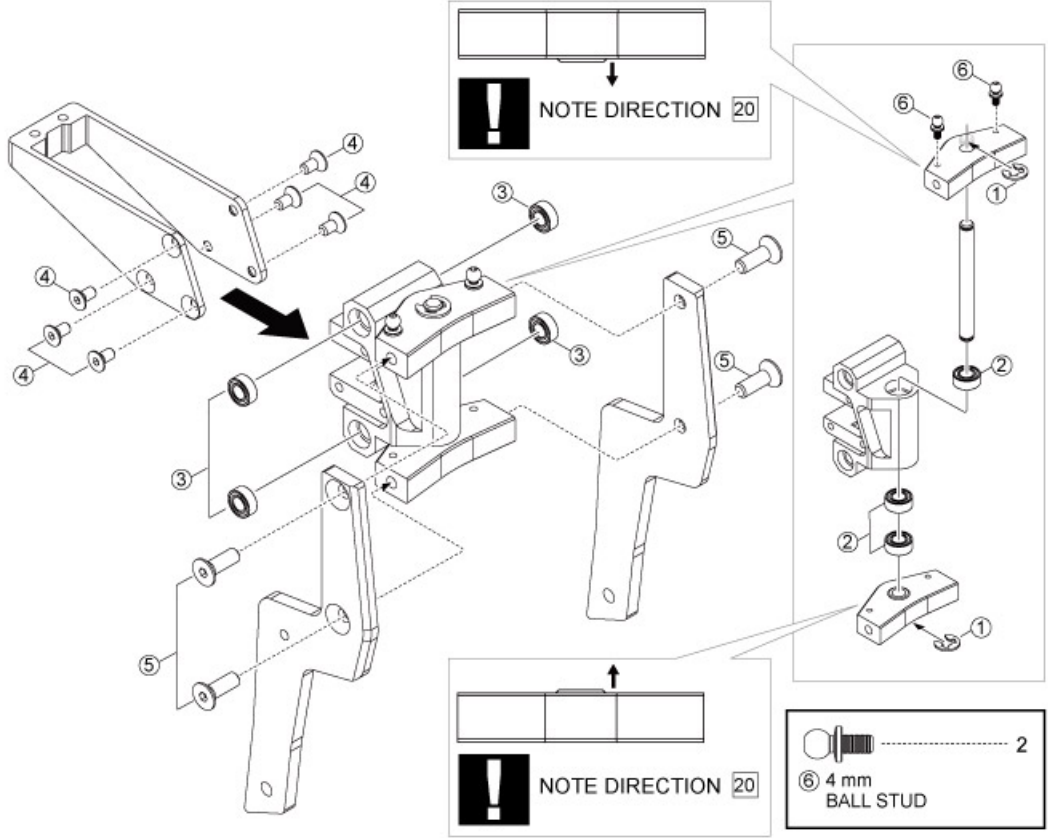
① ② Assemble in order

Apply silicone oil

### STEP 3



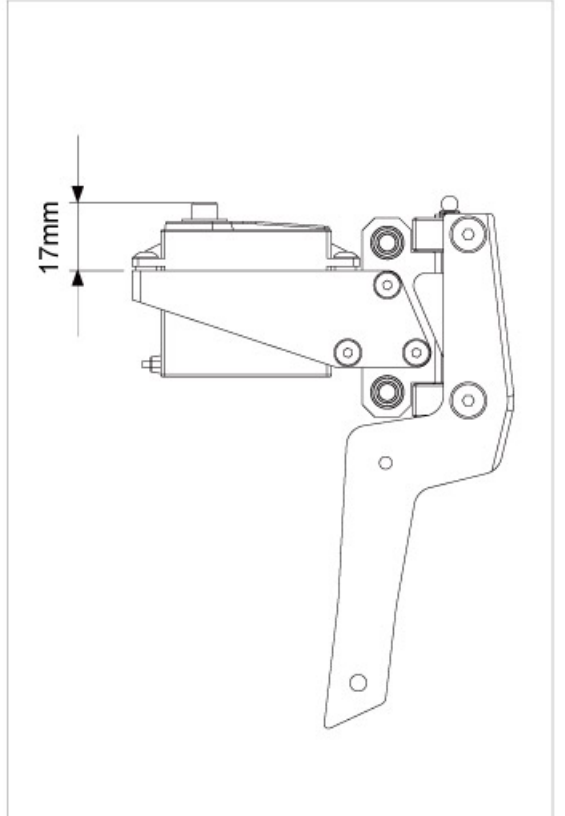
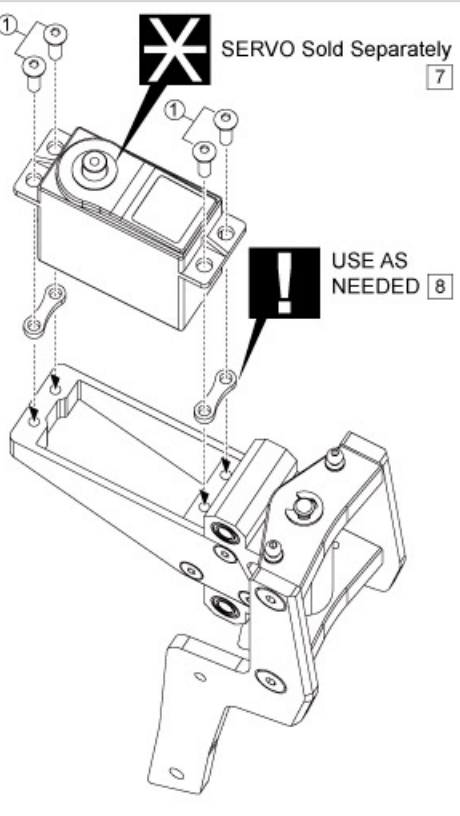
-  ① 4 mm E-CLIP ..... 2
-  ② 5 x 10 x 4 mm BEARING ..... 3
-  ③ 4 x 8 x 3 mm BEARING ..... 4
-  ④ M3 x 6mm FHCS Screw ..... 6
-  ⑤ M4 x 12 mm FHCS Screw ..... 4



### STEP 4



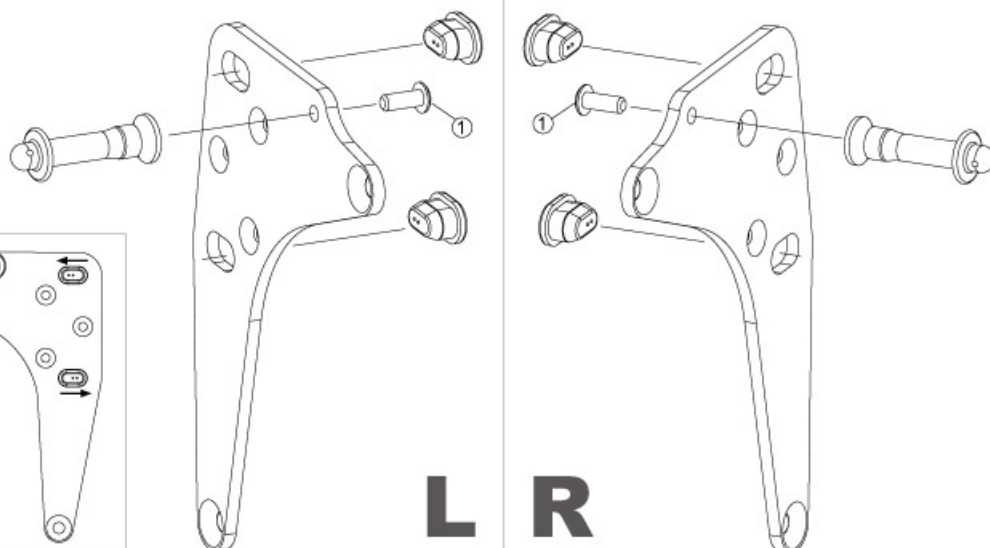
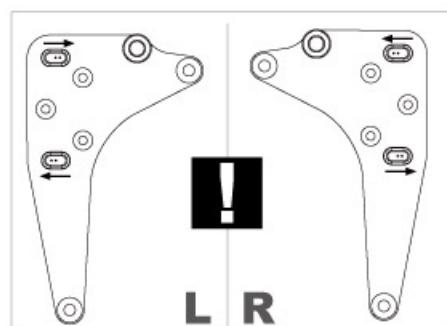
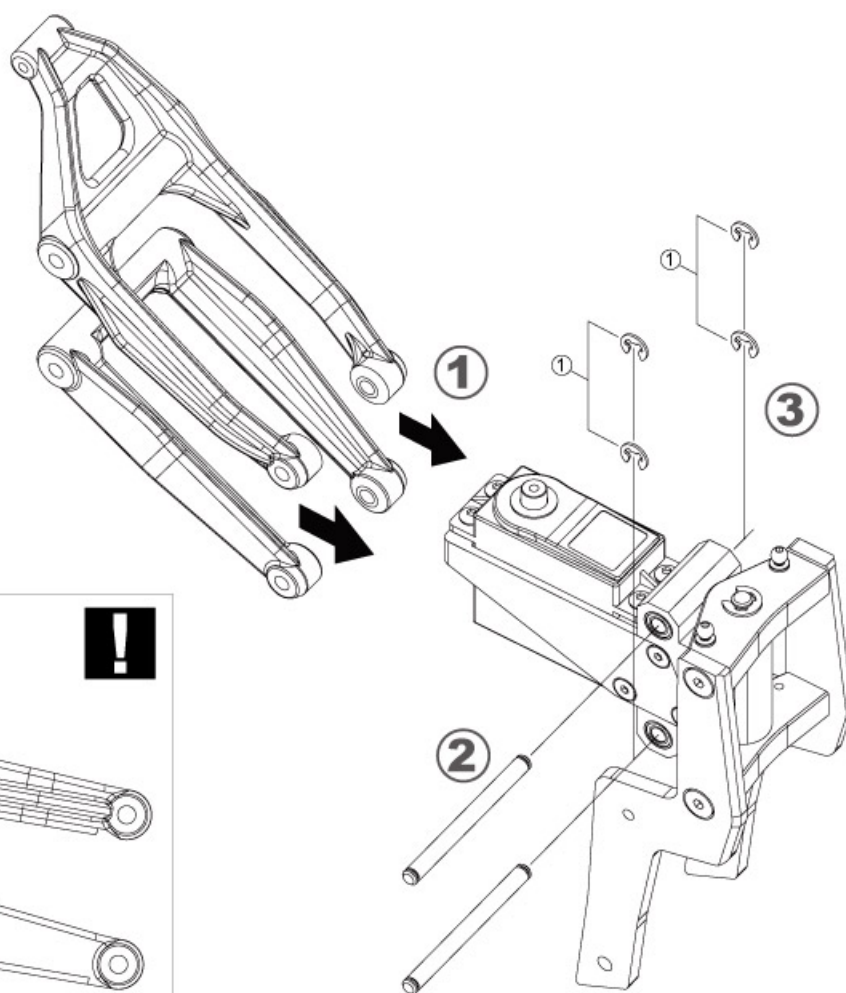
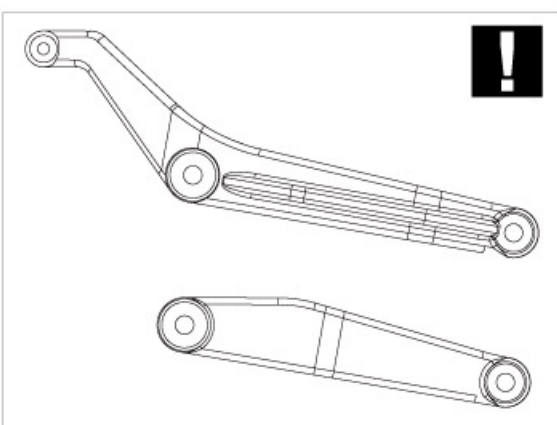
-  ① M3 x 10 mm BHCS Screw ..... 4



Must be purchased separately

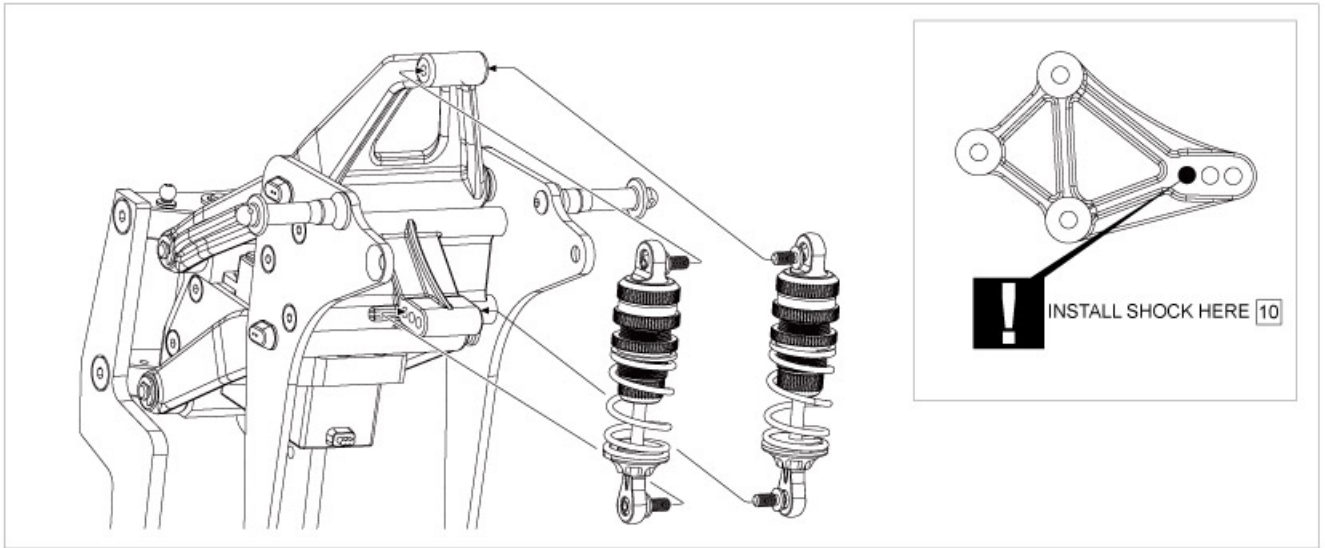
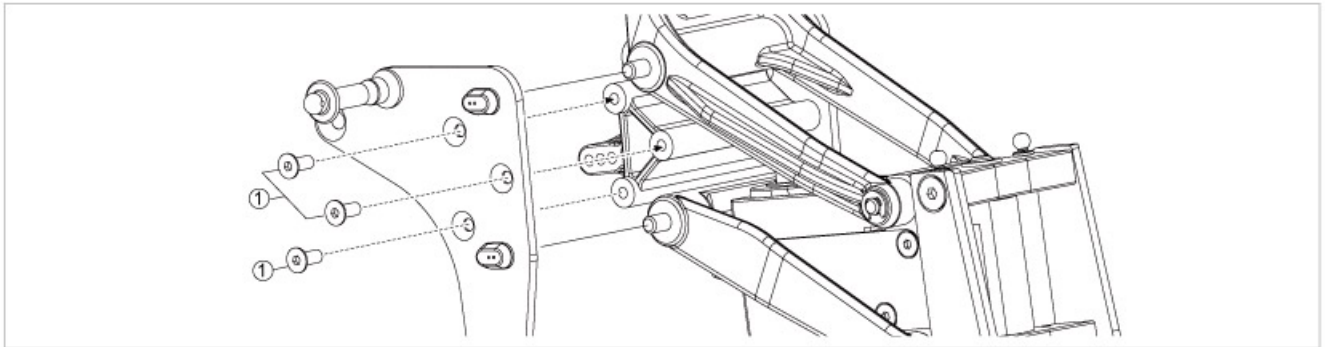
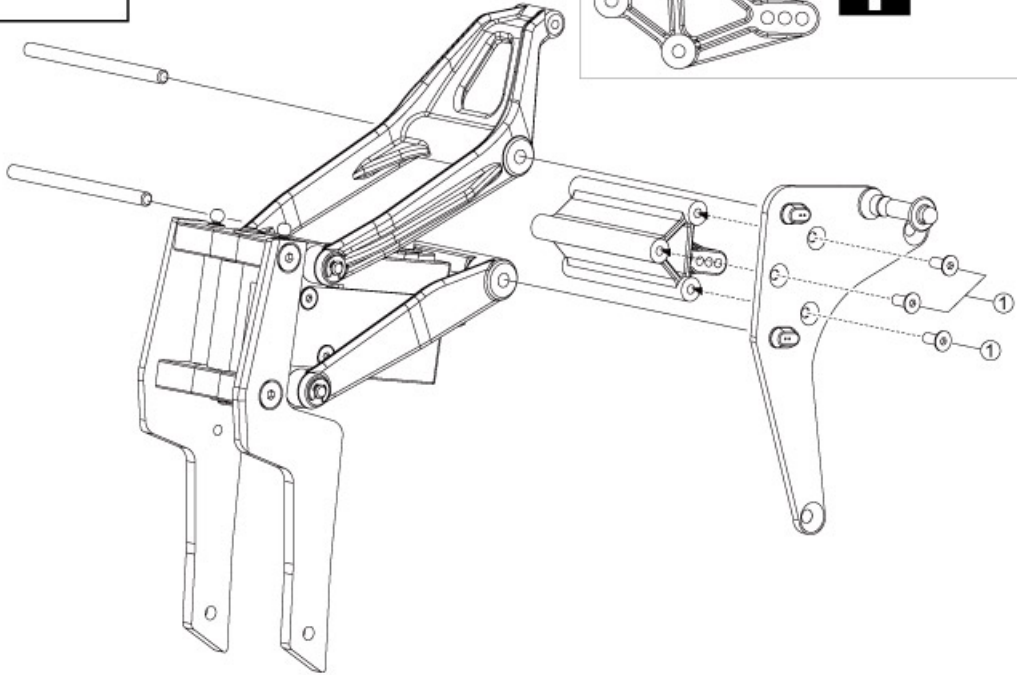


Attention

**STEP 5**
**bagD**
**L R**

**STEP 6**
**bagE**
**①  
②  
③**

**Attention**

**Assemble in order**







**Assemble left and right side the same way**

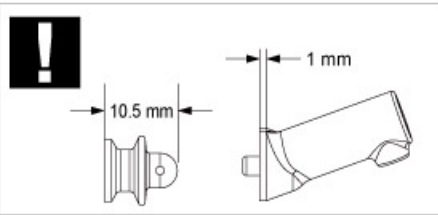
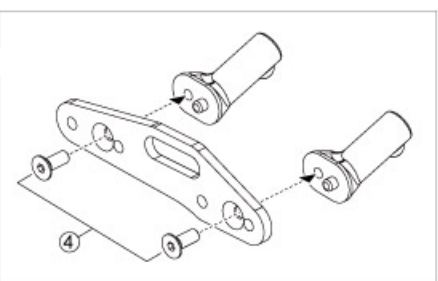
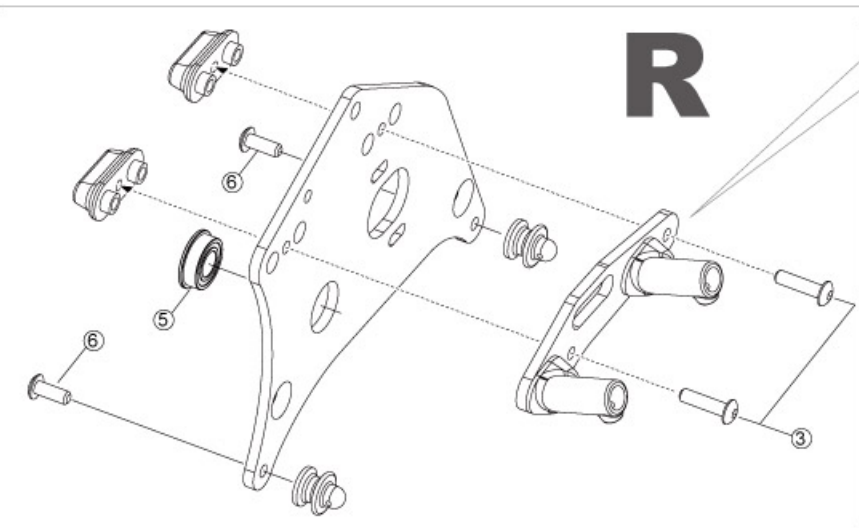
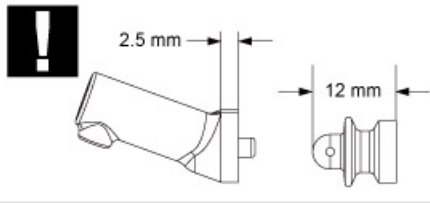
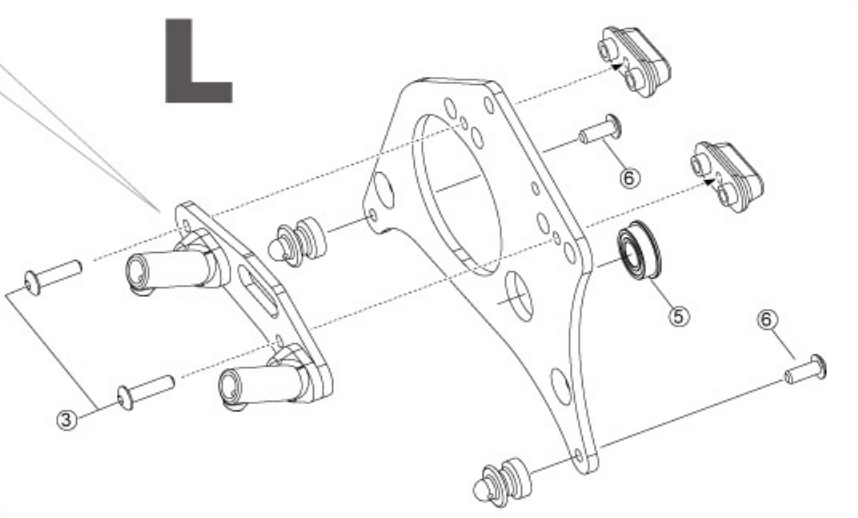
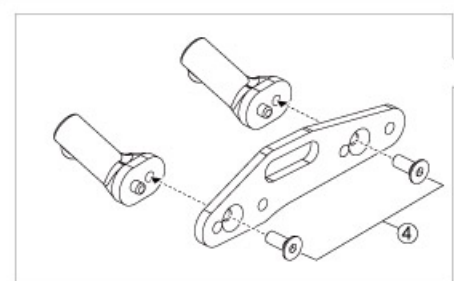
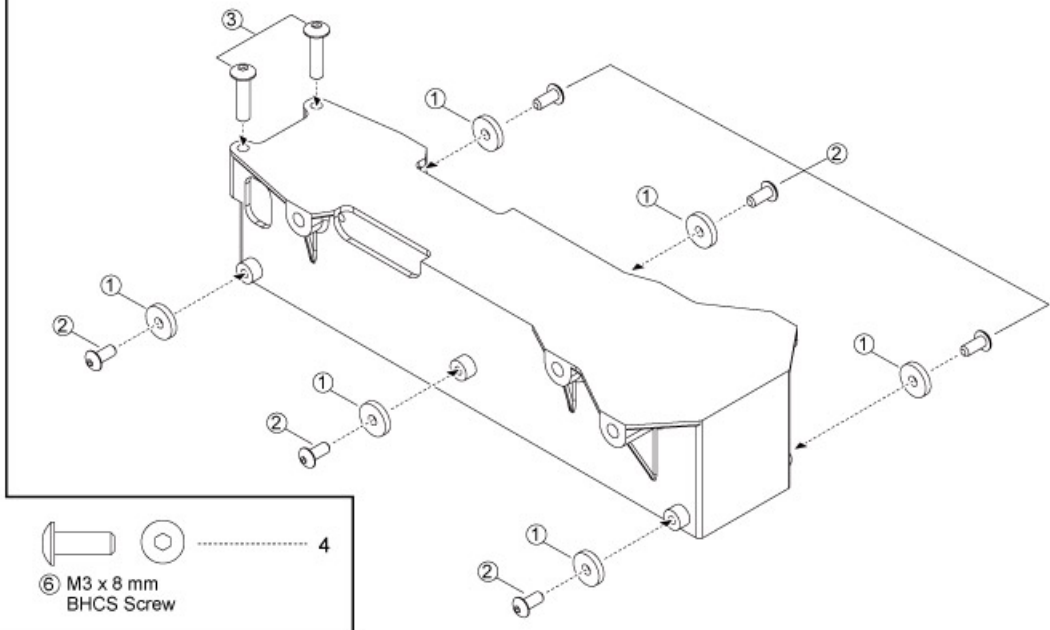
**STEP 7****bagE****Attention**



# STEP 8









-  ① 2.5 x 8 mm  
WASHER
-  ② M2.5 x 6 mm  
BHCS Screw
-  ③ M3 x 12 mm  
BHCS Screw
-  ④ M3 x 8 mm  
FHPS Screw
-  ⑤ 6 x 12 x 4 mm  
BEARING FL
-  ⑥ M3 x 8 mm  
BHCS Screw

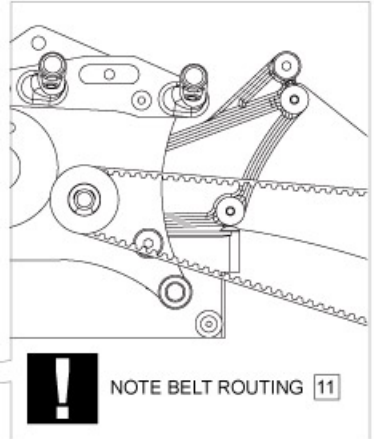
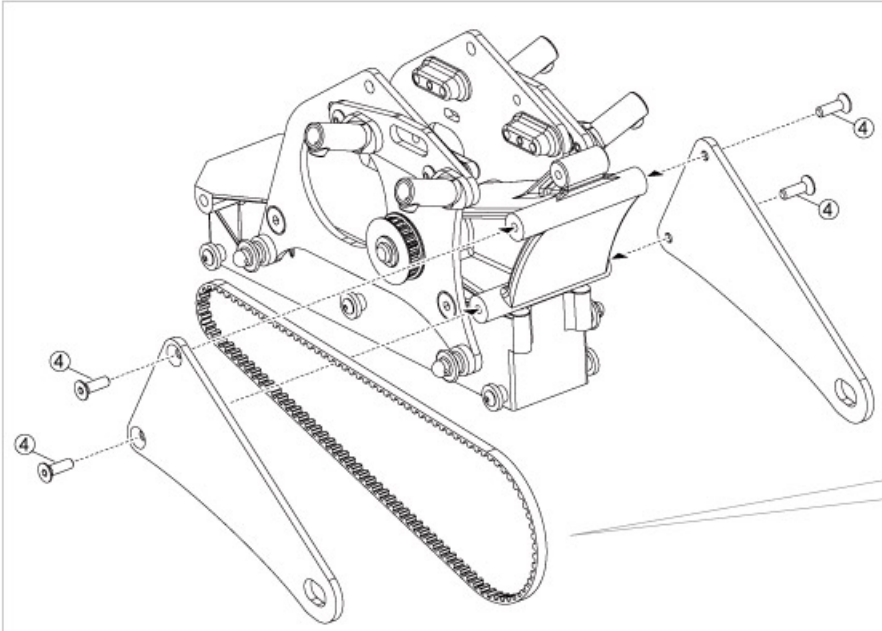
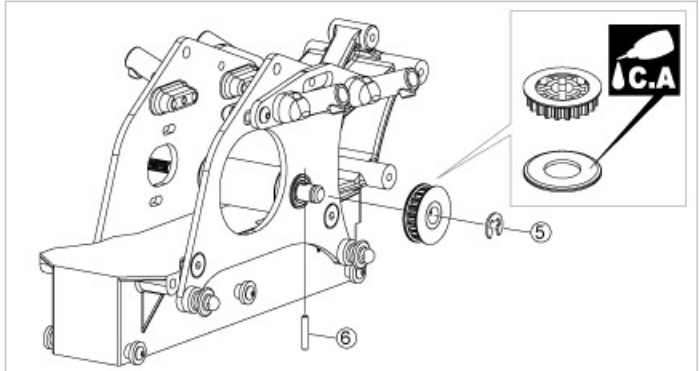
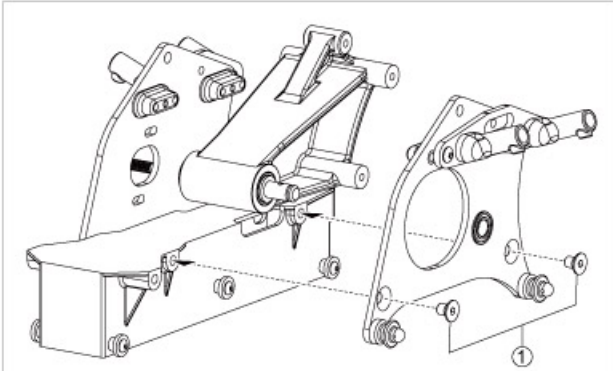
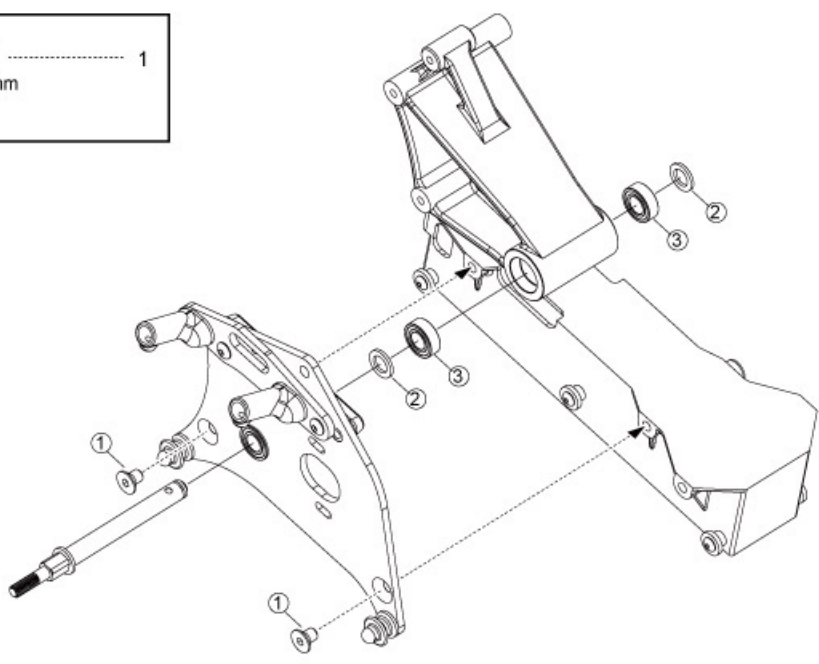


**!** Attention


# STEP 9



-  ..... 4  
 ① M4 x 6 mm FHCS Screw
-  ..... 1  
 ⑥ 2 x 12 mm PIN
-  ..... 2  
 ② SWINGARM SPACER
-  ..... 2  
 ③ 6 x 12 x 4 mm BEARING
-  ..... 4  
 ④ M3 x 10 mm FHCS Screw
-  ..... 1  
 ⑤ 4 mm E-CLIP





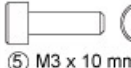


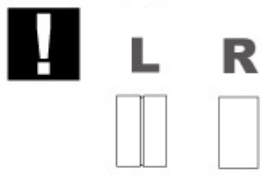
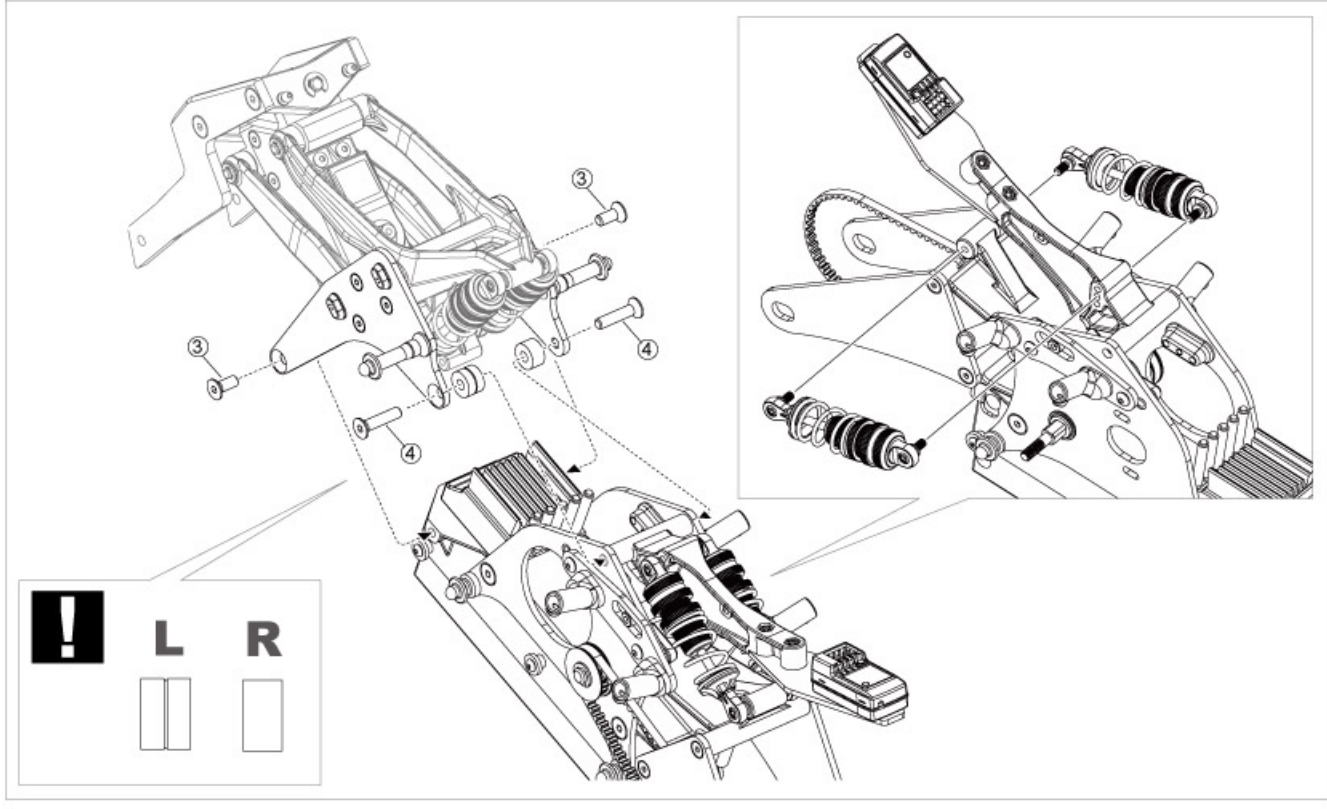
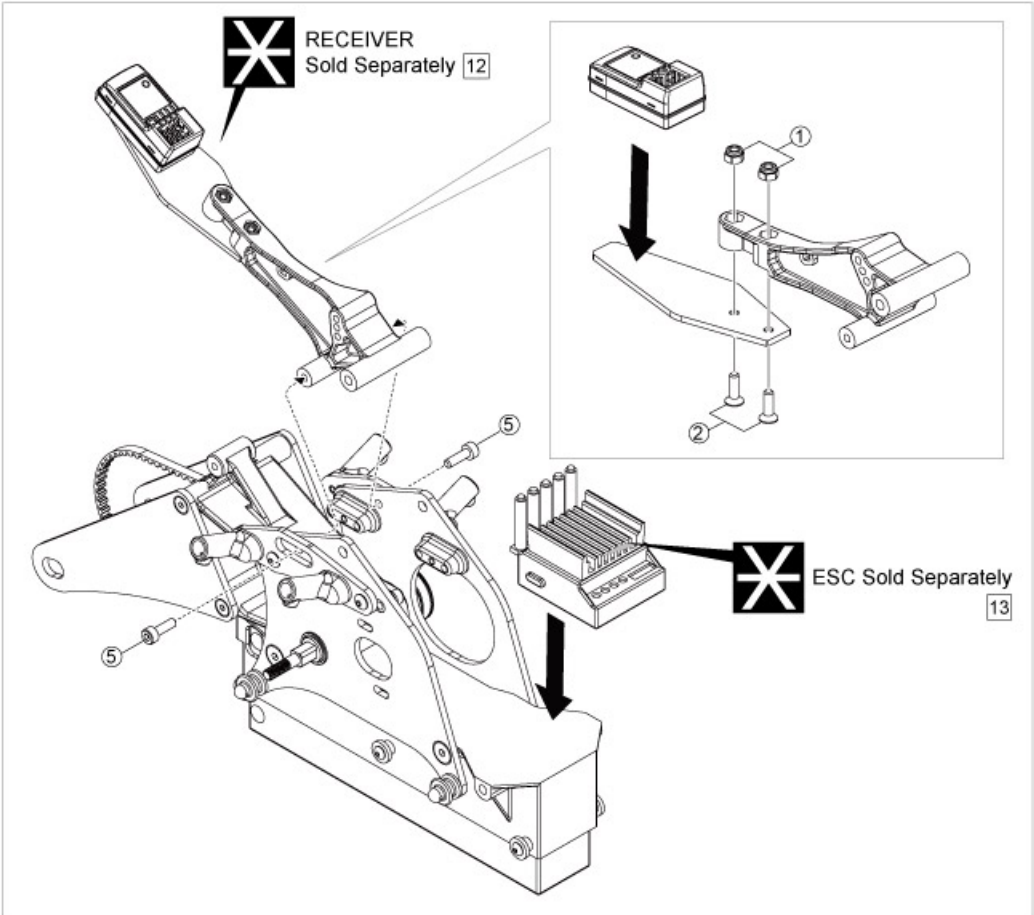
 Attention

 Apply C.A. Glue

# STEP 10






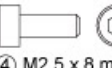



-  ..... 2  
① M3 LOCK NUT
-  ..... 2  
② M3 x 10 mm FHCS Screw
-  ..... 2  
③ M4 x 10 mm FHCS Screw
-  ..... 2  
④ M4 x 18 mm FHCS Screw
-  ..... 2  
⑤ M3 x 10 mm SHCS Screw

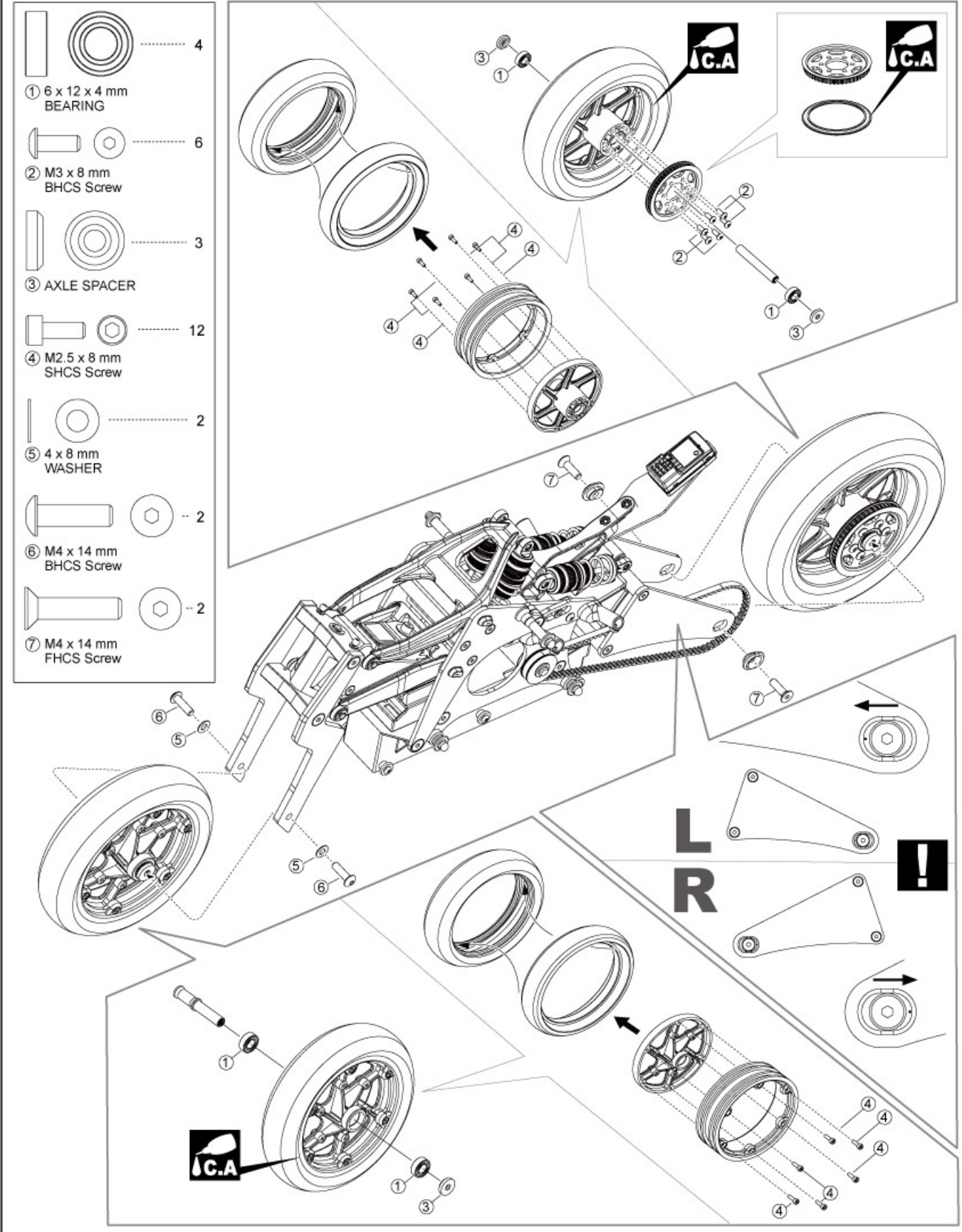


**!** Attention **X** Must be purchased separately

# STEP 11

bagl & bagJ

-  ..... 4
- ① 6 x 12 x 4 mm BEARING
-  ..... 6
- ② M3 x 8 mm BHCS Screw
-  ..... 3
- ③ AXLE SPACER
-  ..... 12
- ④ M2.5 x 8 mm SHCS Screw
-  ..... 2
- ⑤ 4 x 8 mm WASHER
-  ..... 2
- ⑥ M4 x 14 mm BHCS Screw
-  ..... 2
- ⑦ M4 x 14 mm FHCS Screw



Attention



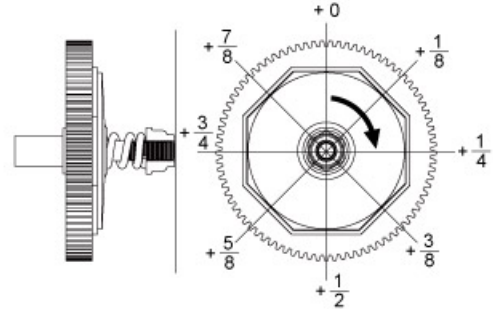
Apply C.A. Glue

# STEP 12

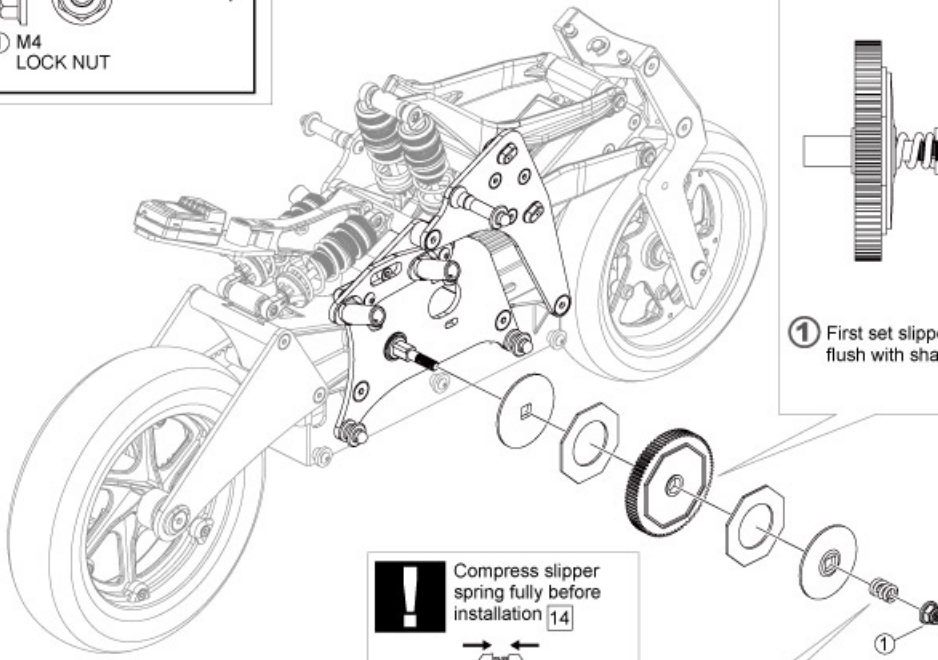
bagK

-  ..... 1
- ① M4 LOCK NUT

## SLIPPER ADJUSTMENT






- ① First set slipper nut flush with shaft 15
- ② Then add 1/4 turn. Add more for less slip, add less for more slip. 16

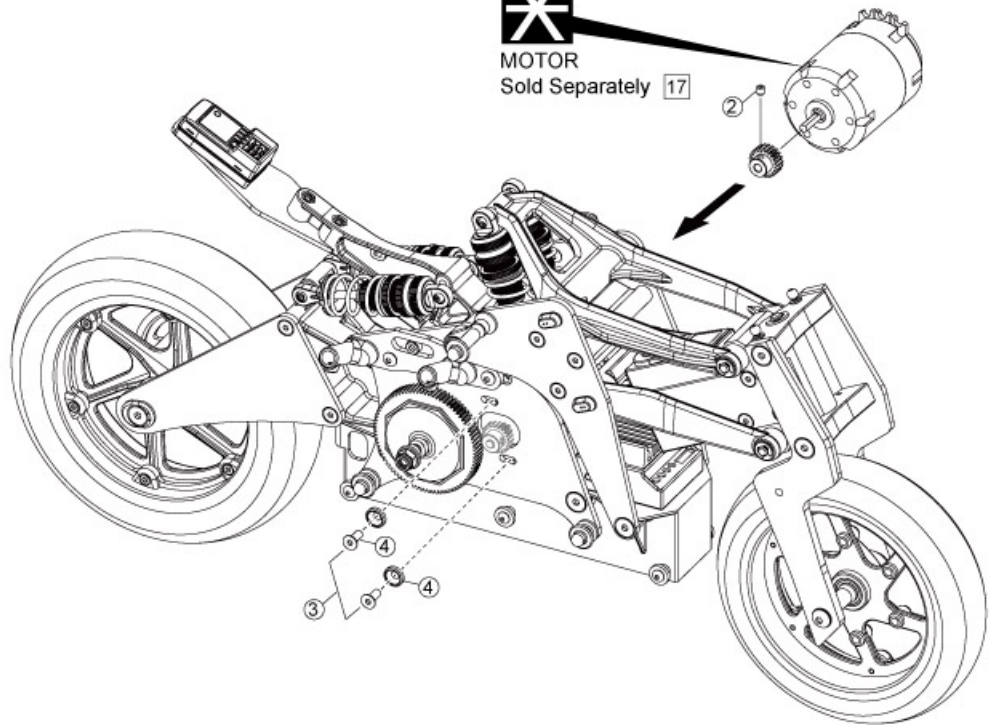


**!** Compress slipper spring fully before installation 14



-  ..... 1
- ② M3 x 3 mm SET Screw
-  ..... 2
- ③ M3 x 8 mm FHCS Screw
-  ..... 2
- ④ CONE WASHER

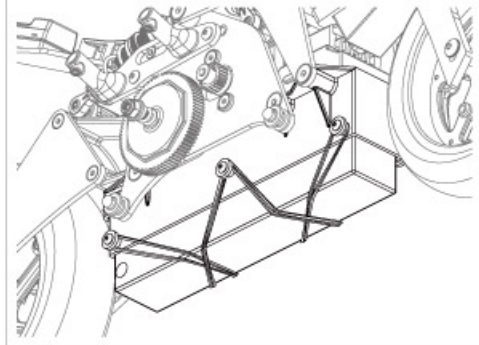
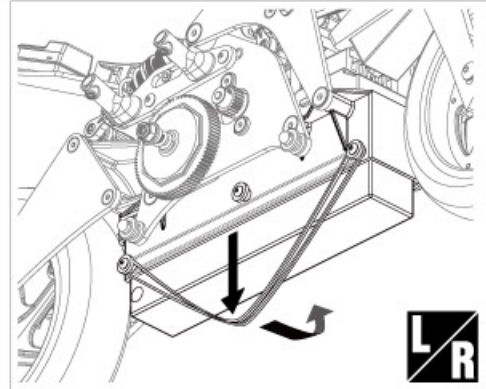
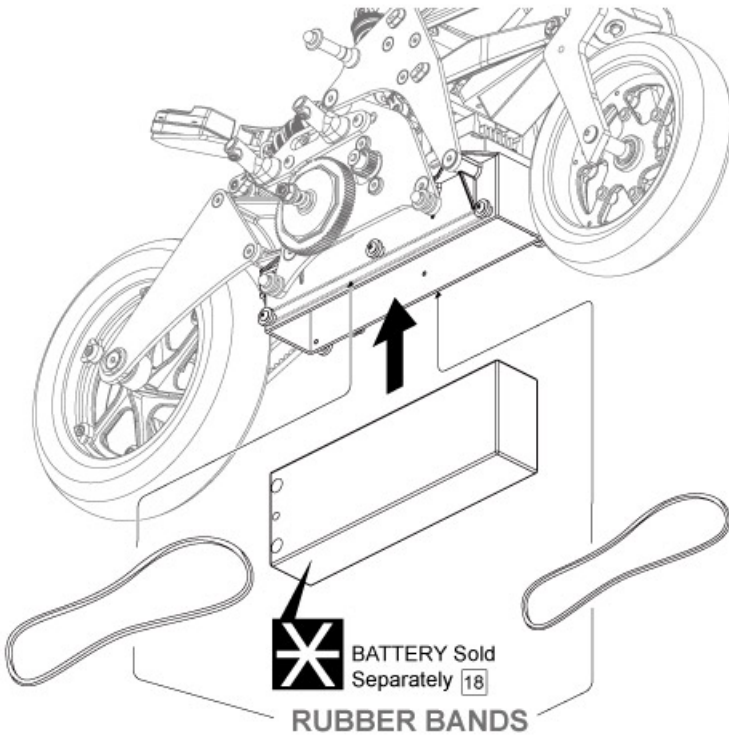
**X**  
MOTOR  
Sold Separately 17



**!** Attention





**X** Must be purchased separately

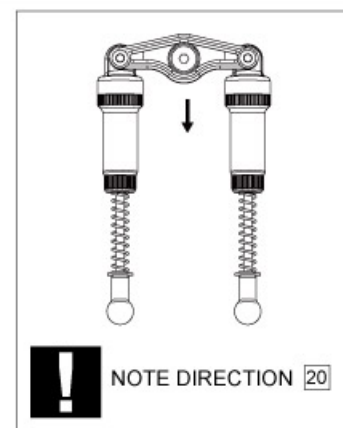
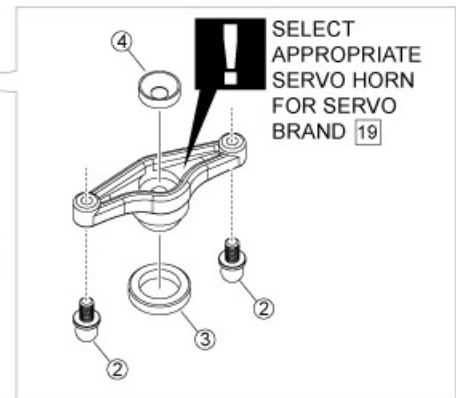
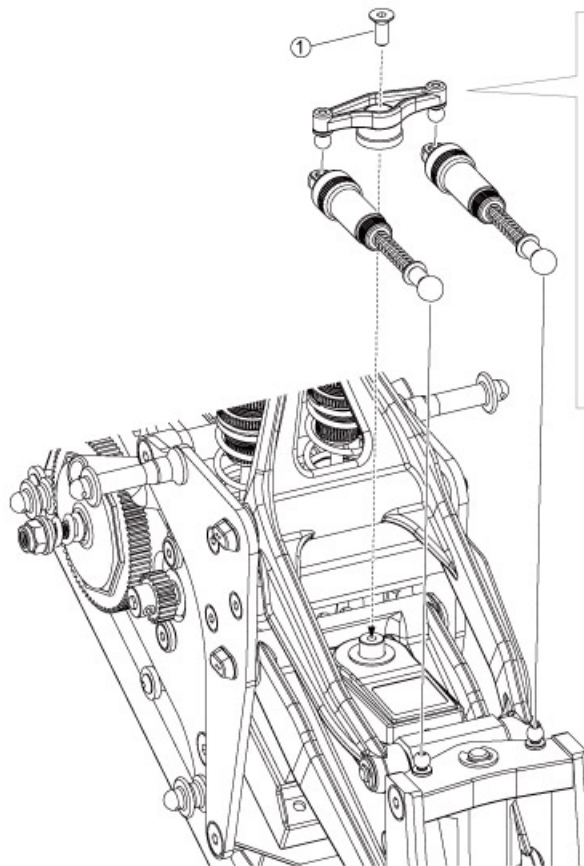
### STEP 13




### STEP 14



-  1  
① M3 x 8 mm  
FHCS Screw
-  2  
② 4 mm  
BALL STUD
-  1  
③ SERVO HORN RING
-  1  
④ SERVO CONE WASHER

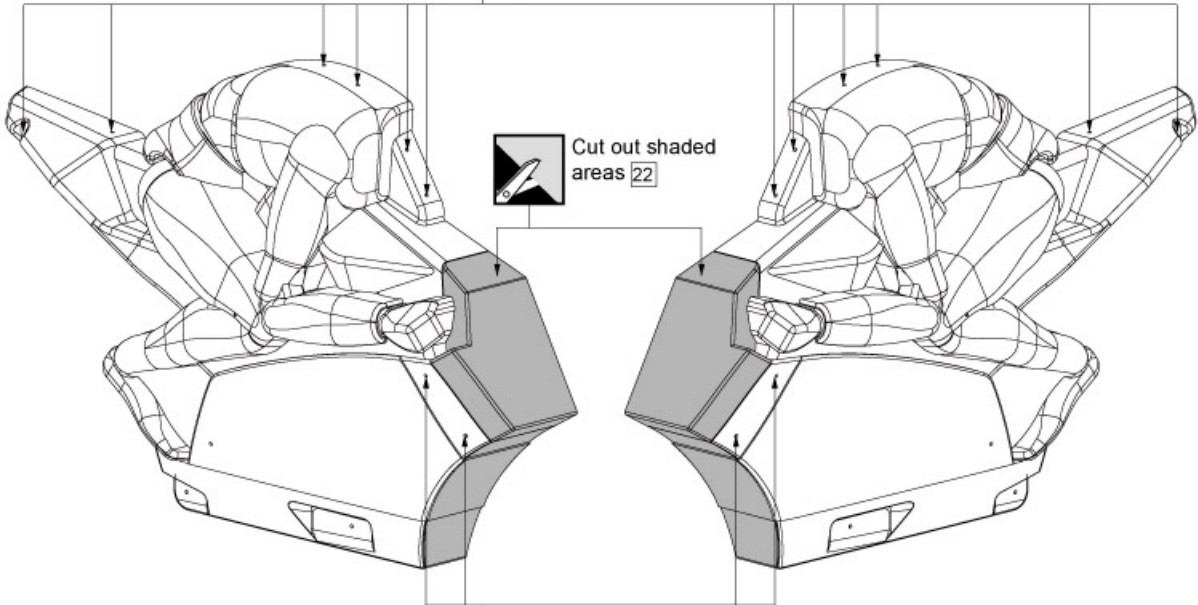


 Must be purchased separately

 Attention

# STEP 15

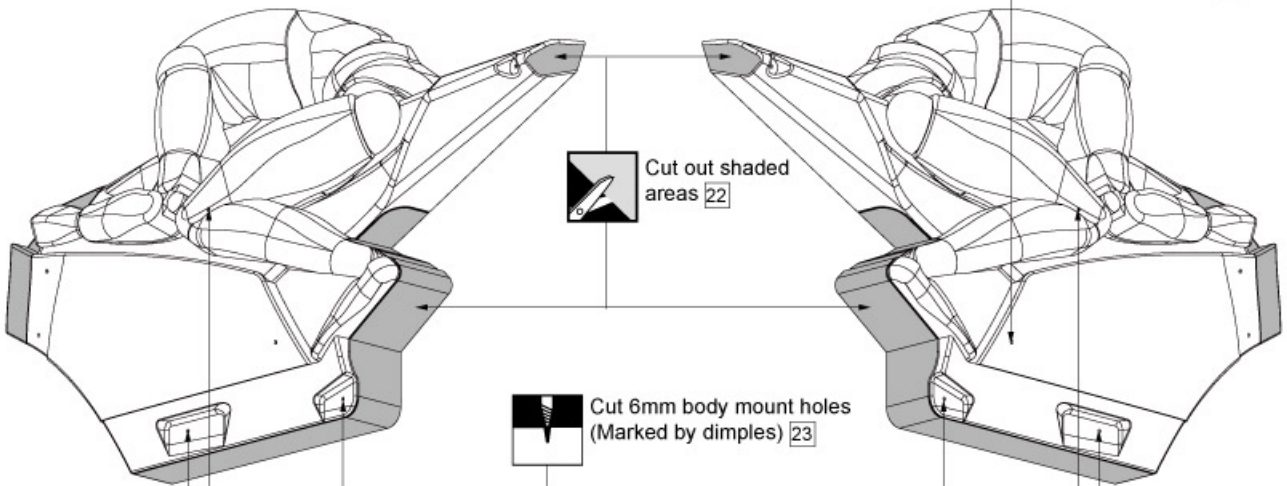
Cut 2.5mm screw holes  
(Marked by dimples) 21



Cut out shaded areas 22

Cut 2.5mm screw holes  
(Marked by dimples) 21

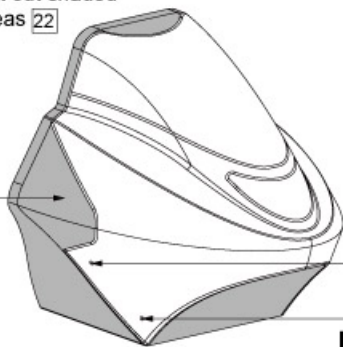
Cut 9mm slipper clearance hole  
(Right side only) 24



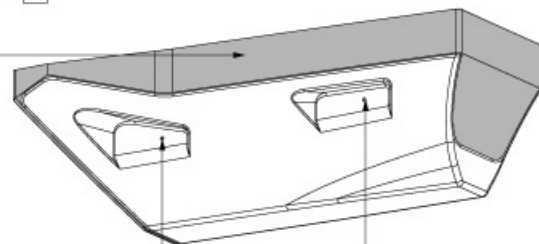
Cut out shaded areas 22

Cut 6mm body mount holes  
(Marked by dimples) 23

Cut out shaded areas 22



Cut out shaded areas 22



Cut 2.5mm screw holes  
(Marked by dimples) 21

Cut 6mm body mount holes  
(Marked by dimples) 23



Cut off shaded portion



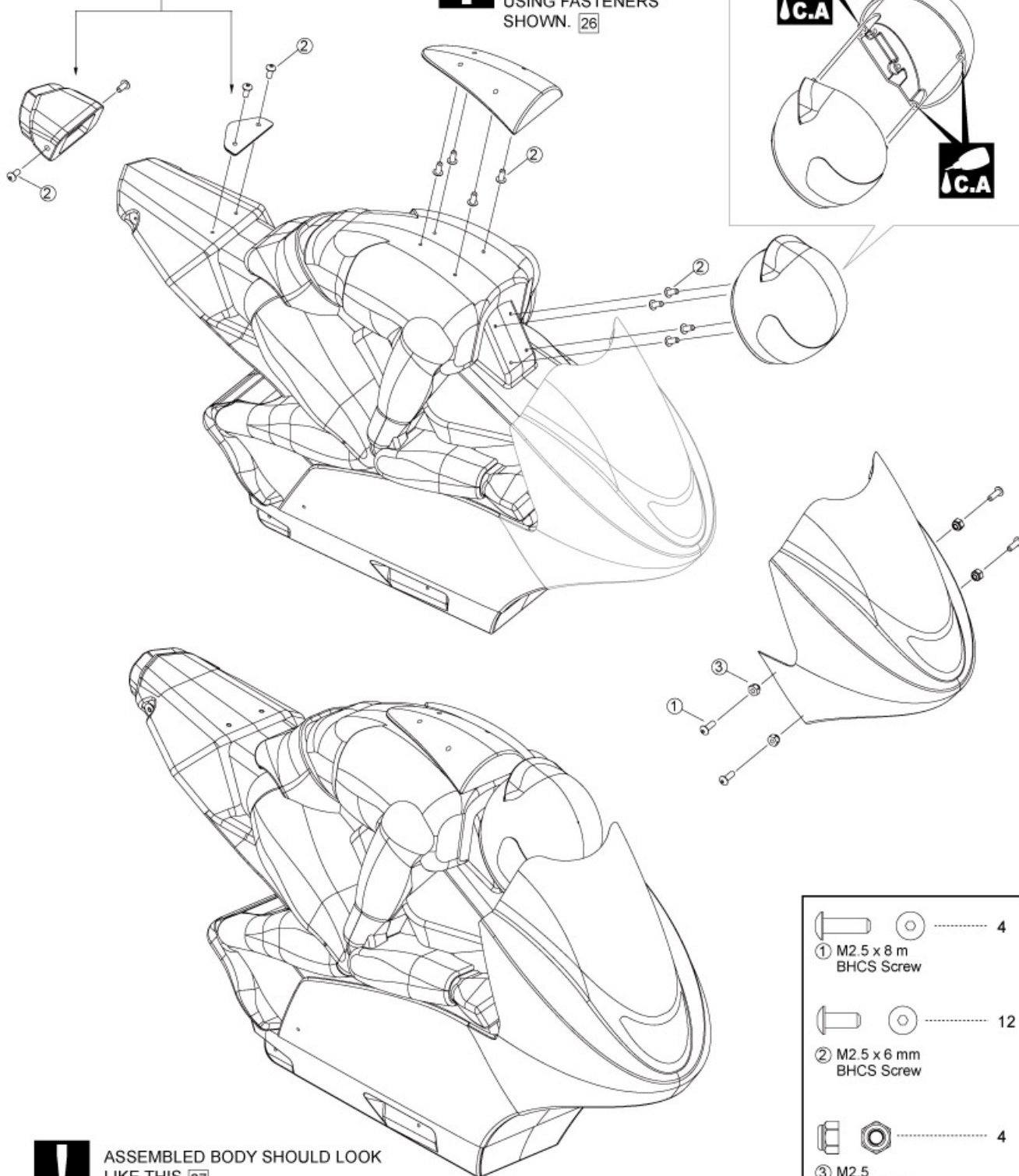
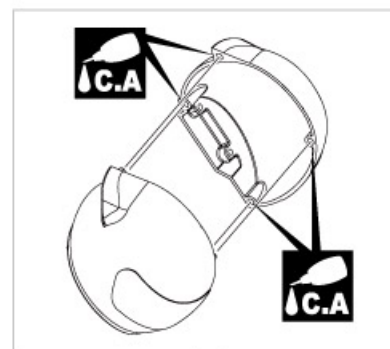
Drill holes with the specified diameter

# STEP 16



**!** INSTALL INSIDE BODY [25]

**!** INSTALL NOSE FAIRING AND PLASTIC PARTS USING FASTENERS SHOWN. [26]



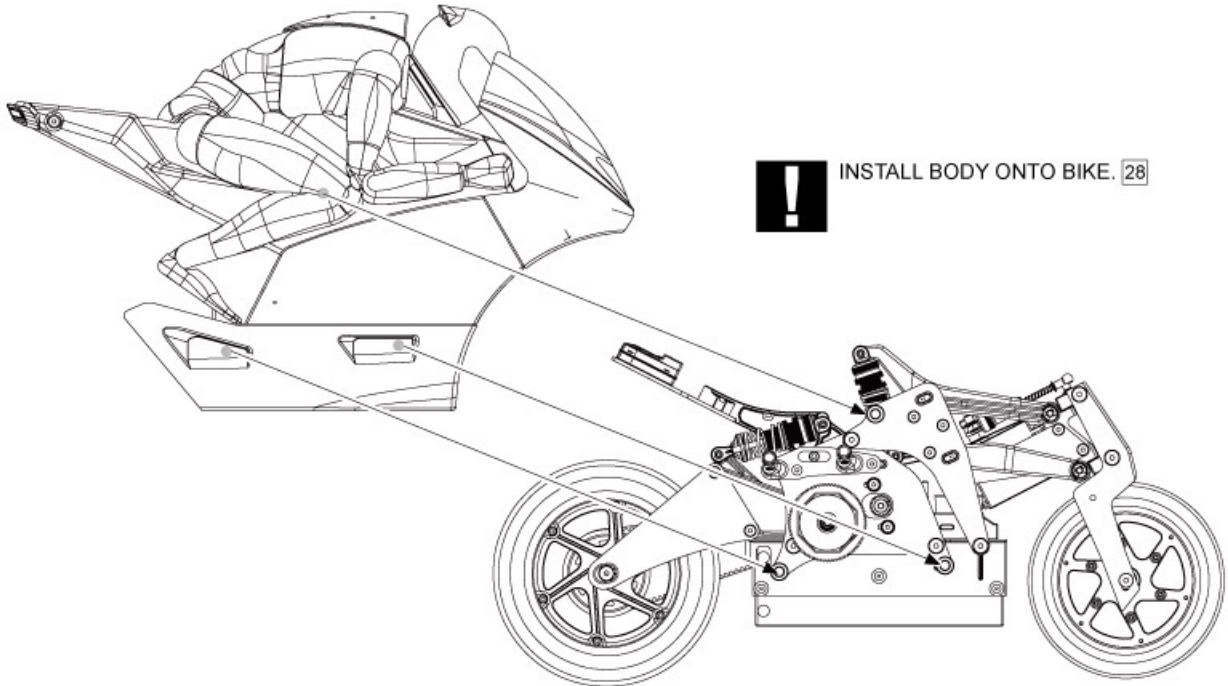
**!** ASSEMBLED BODY SHOULD LOOK LIKE THIS [27]

- |                          |  |    |
|--------------------------|--|----|
|                          |  | 4  |
| ① M2.5 x 8 m BHCS Screw  |  |    |
|                          |  | 12 |
| ② M2.5 x 6 mm BHCS Screw |  |    |
|                          |  | 4  |
| ③ M2.5 LOCK NUT          |  |    |

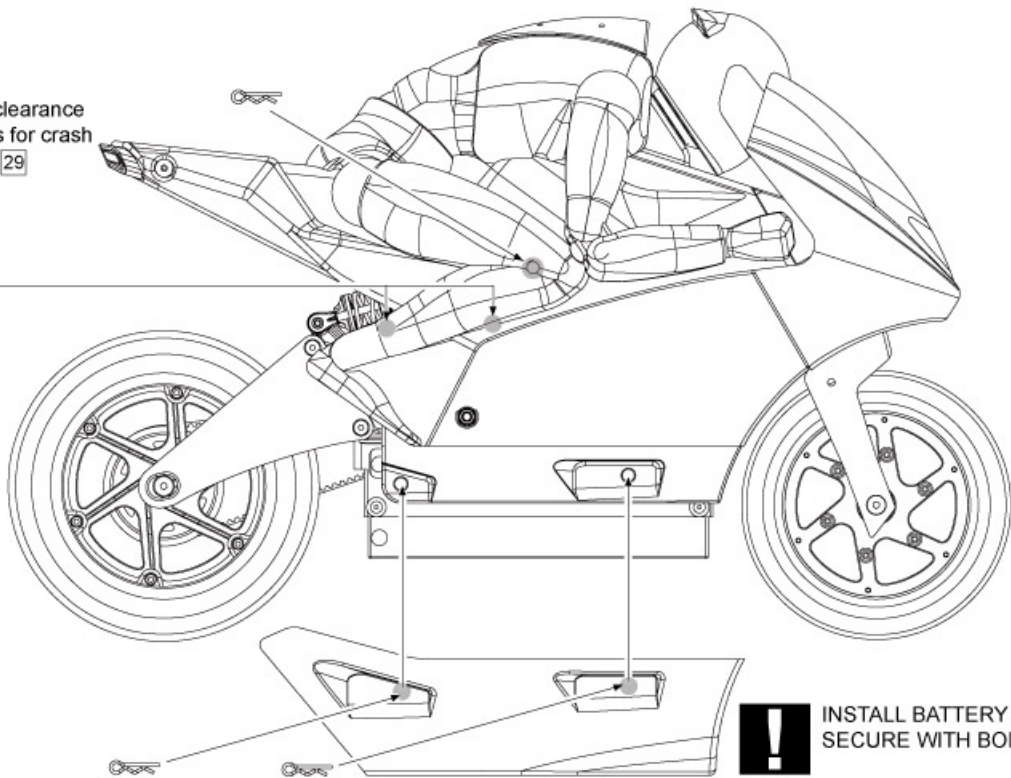
**!** Attention

Apply C.A Glue



**STEP 17****STEP 18**

**!** Cut clearance holes for crash bars 29



Attention



Drill holes with the specified diameter

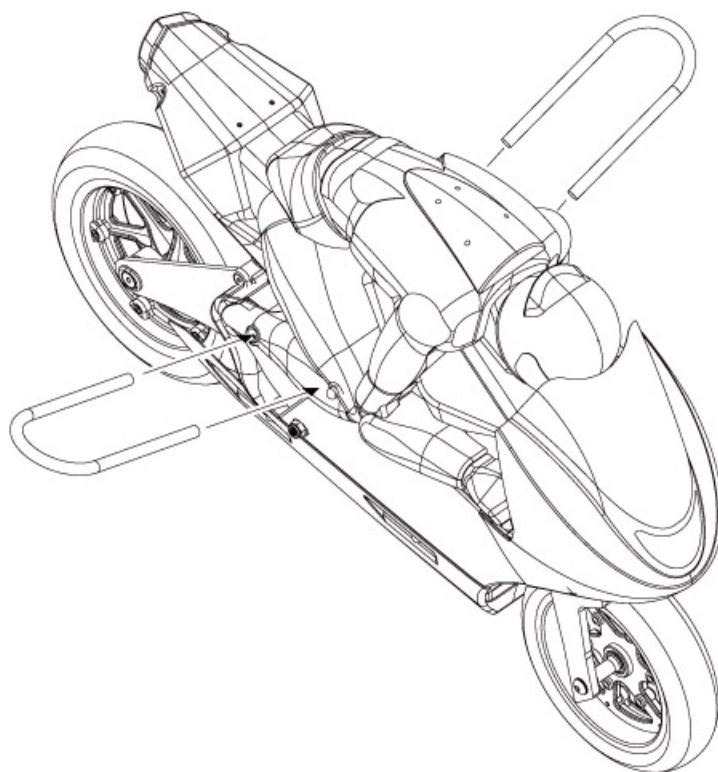
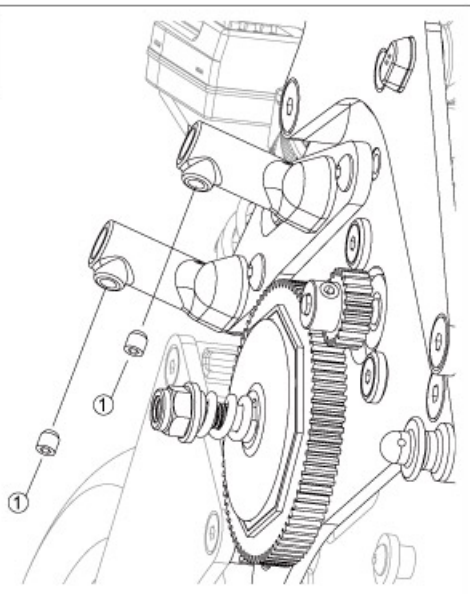
## STEP19

bagL

① M3 x 3 mm SET Screw 4

① M3 x 3 mm SET Screw

L/R



## STEP20

bagM

① M3 x 10 mm SHCS Screw 6

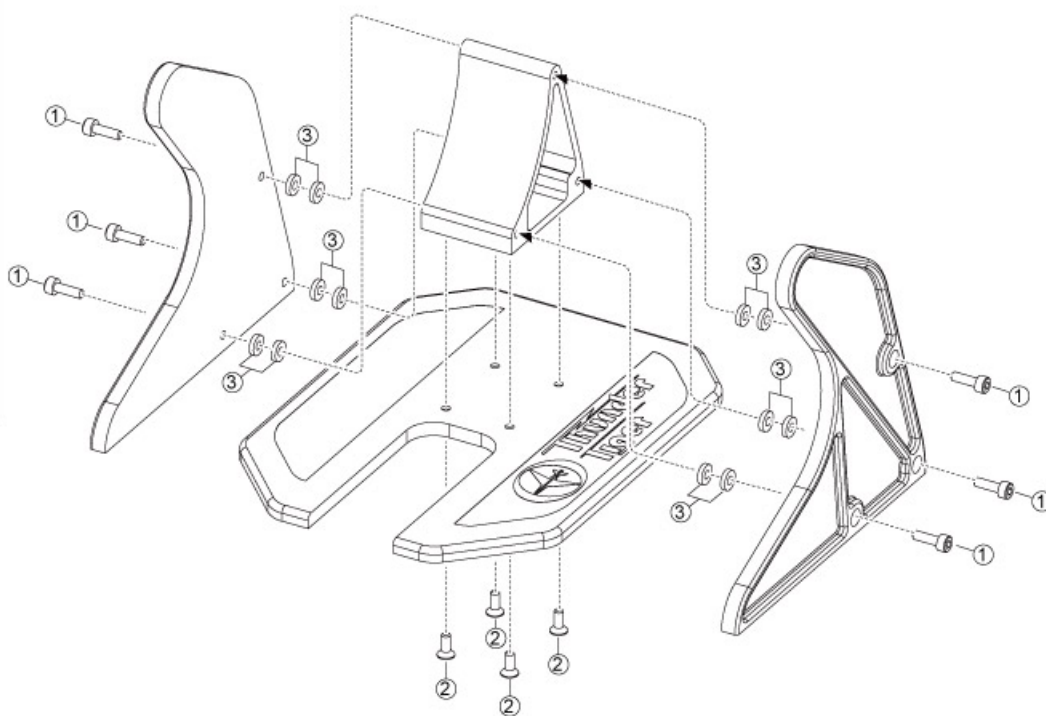
① M3 x 10 mm SHCS Screw

② M3 x 8 mm FHCS Screw 4

② M3 x 8 mm FHCS Screw

③ SPACER 12

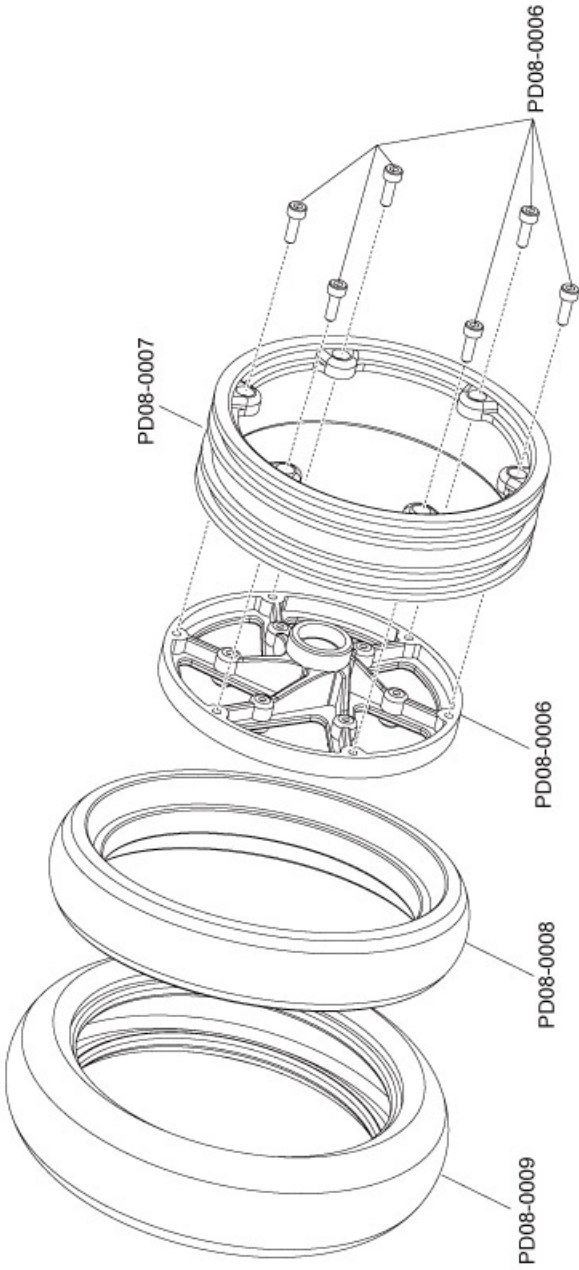
③ SPACER



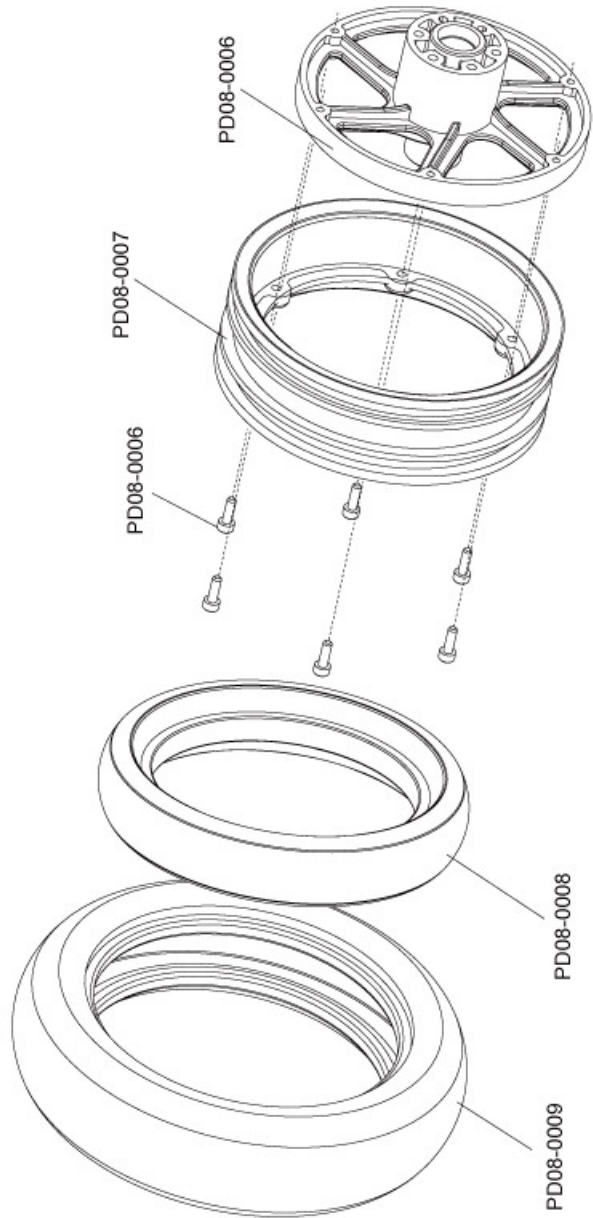
L/R

Assemble left and right side the same way

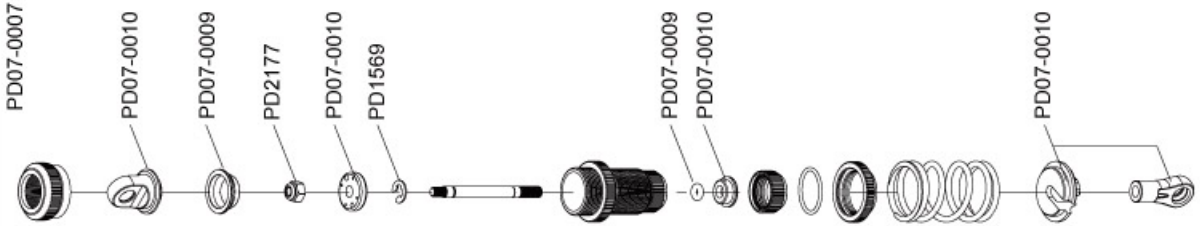
### FRONT WHEEL ASSEMBLY



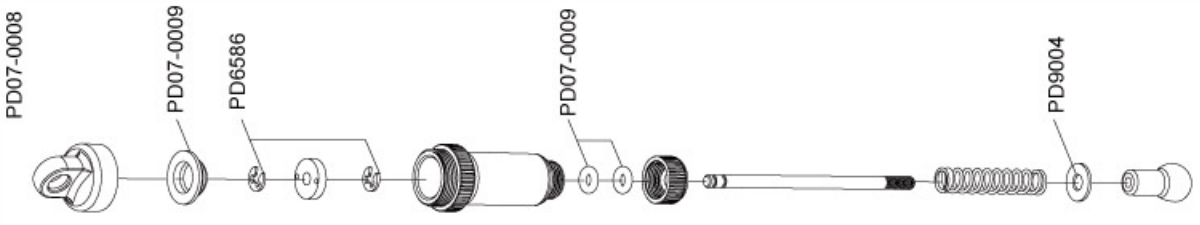
### REAR WHEEL ASSEMBLY



### SHOCK ASSEMBLY

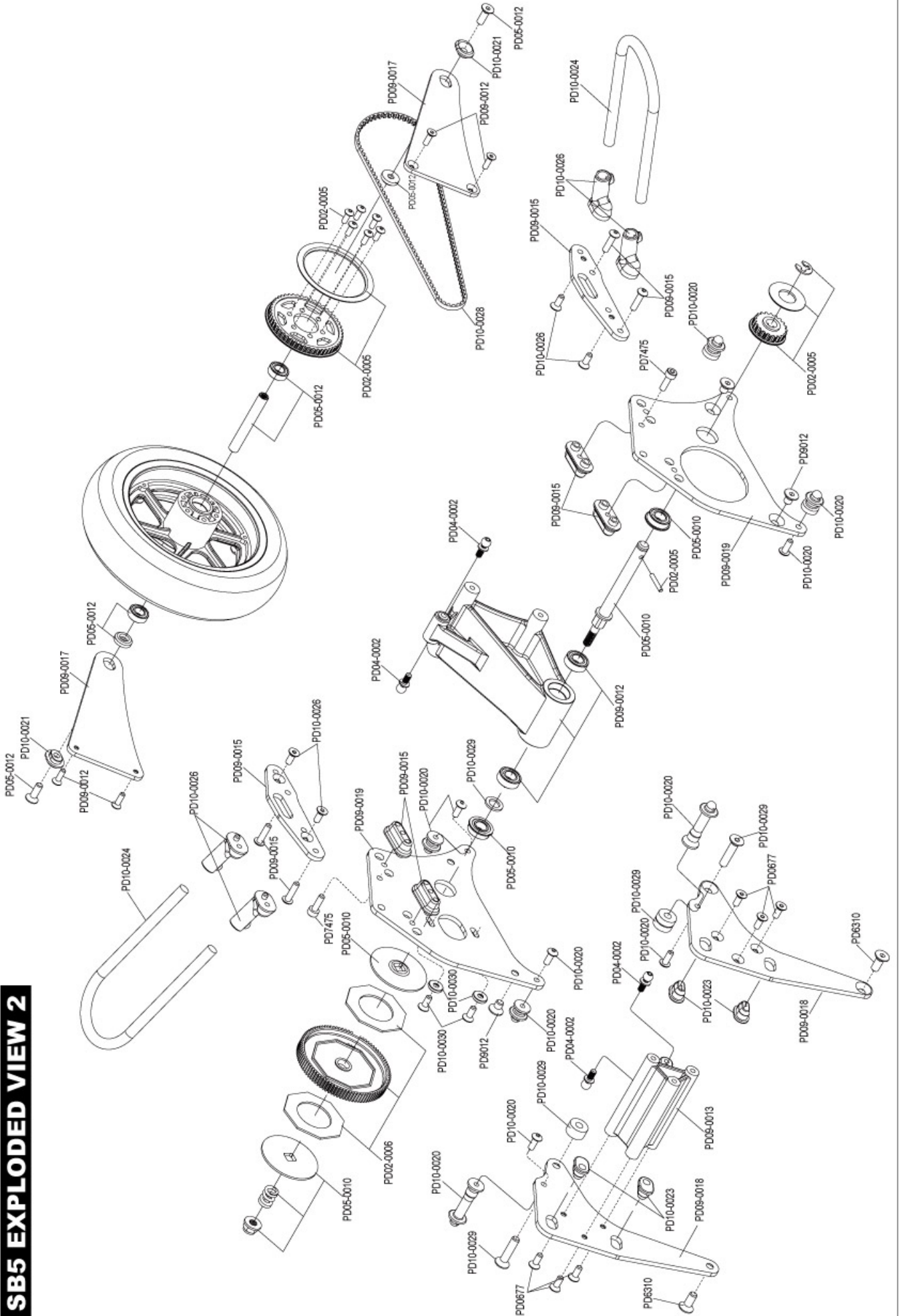


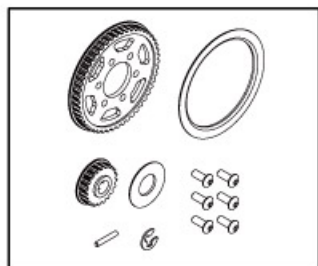
### ST. DAMPER ASSEMBLY



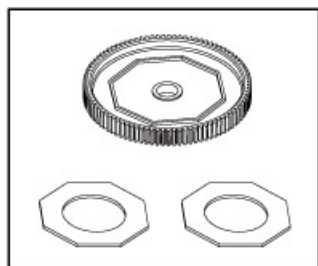


**SB5 EXPLODED VIEW 2**

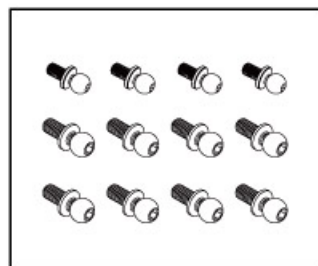




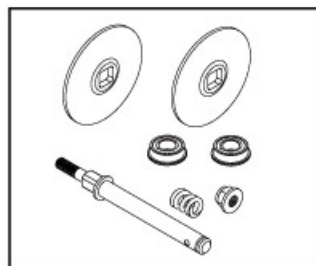
PD02-0005 BELT PULLEY SET



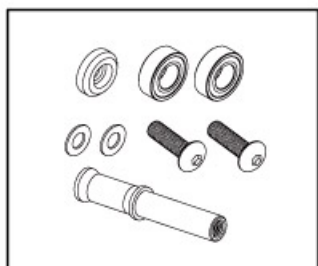
PD02-0006 SPUR GEAR SET (87T)



PD04-0002 BALLSTUD SET



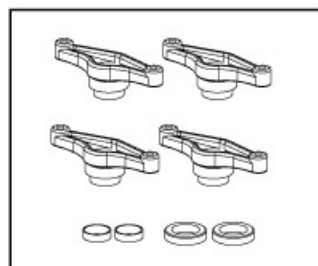
PD05-0010 SLIPPER SET



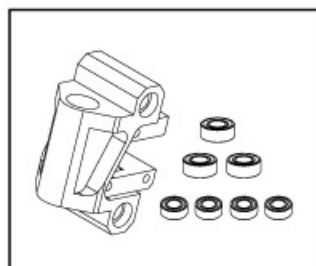
PD05-0011 FRONT AXLE SET



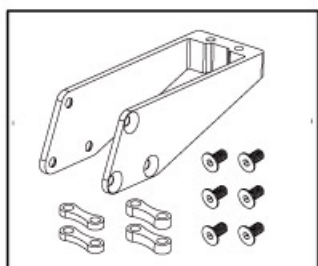
PD05-0012 REAR AXLE SET



PD06-0004 SERVO HORN SET



PD06-0005 STEERING HEAD



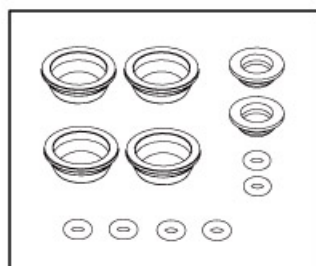
PD06-0006 SERVO MOUNT



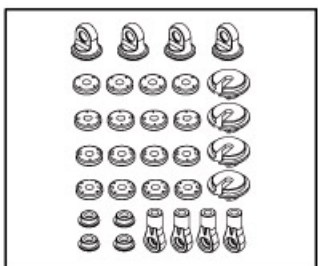
PD07-0007 SHOCK ABSORBER KIT



PD07-0008 STEERING DAMPER KIT



PD07-0009 SHOCK O-RING / BLADDER SET



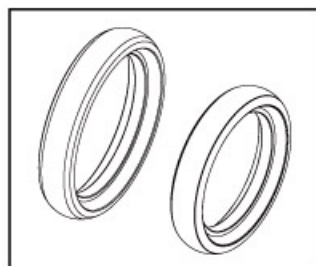
PD07-0010 SHOCK PLASTIC SET



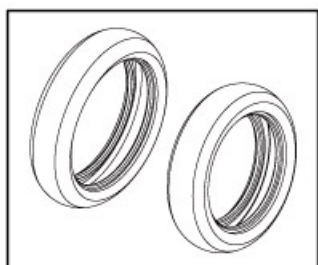
PD08-0006 WHEEL HUB SET



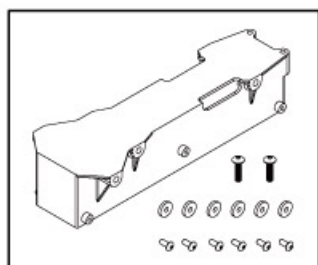
PD08-0007 WHEEL RIM SET



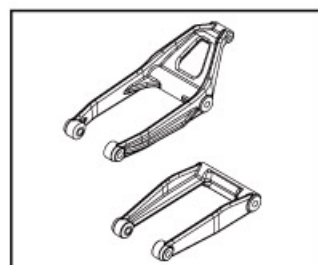
PD08-0008 TIRE INSERT SET



PD08-0009 TIRE SET



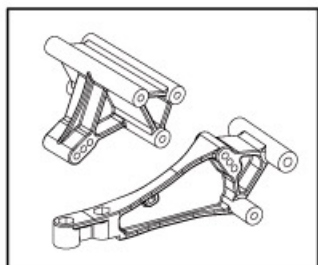
PD09-0010 BATTERY BOX



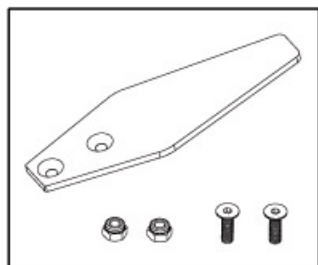
PD09-0011 FRONT SUSPENSION ARMS



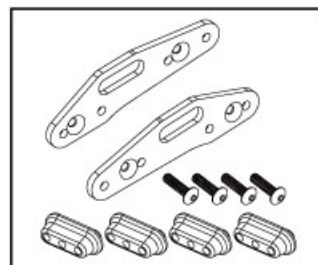
PD09-0012 REAR SWINGARM



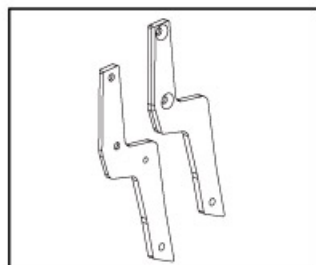
PD09-0013 SHOCK MOUNT SET



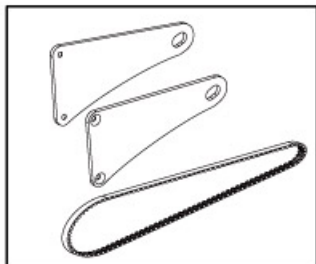
PD09-0014 RECEIVER MOUNT



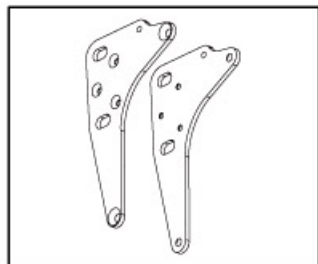
PD09-0015 SLIDER MOUNT EXTENDER SET



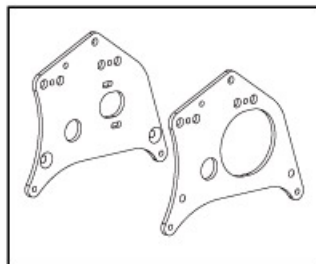
PD09-0016 FORK LEGS (SHORT)



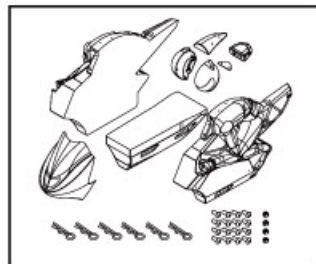
PD09-0017 SWINGARM LEGS (SHORT)



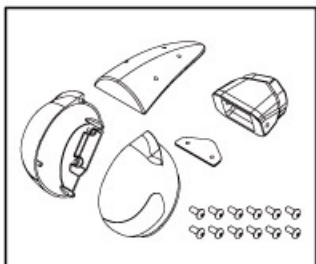
PD09-0018 FRONT FRAME SET (-5)



PD09-0019 REAR FRAME SET



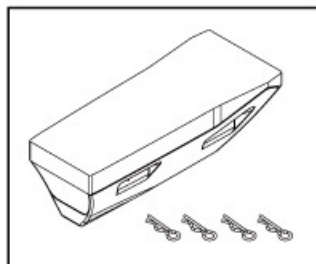
PD09-0020 BODY / RIDER SET



PD09-0021 HELMET SET



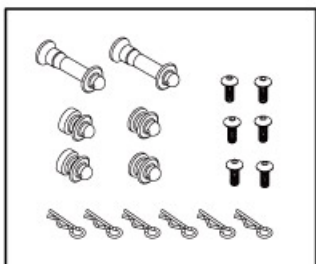
PD09-0022 REPLACEMENT FRONT FAIRING



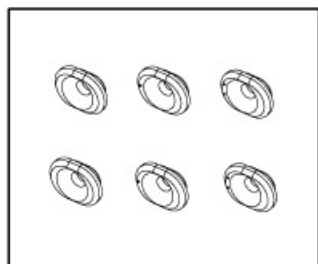
PD09-0023 BATTERY COVER



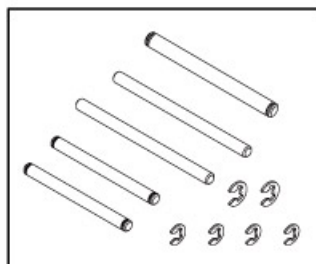
PD10-0019 BIKE STAND SET



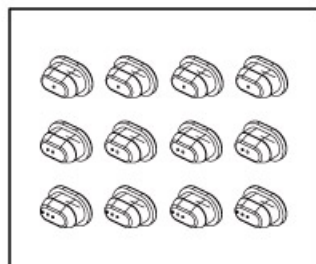
PD10-0020 BODY MOUNT SET



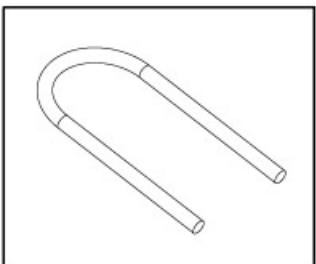
PD10-0021 BELT TENSIONER SET



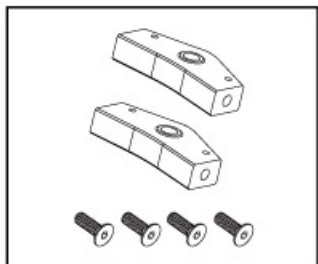
PD10-0022 HINGE PIN SET



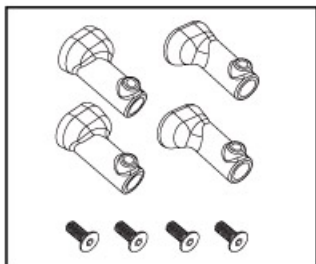
PD10-0023 HINGE PIN BUSHING SET



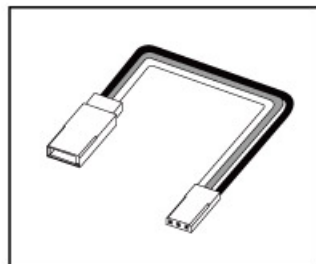
PD10-0024 NYLON SLIDER



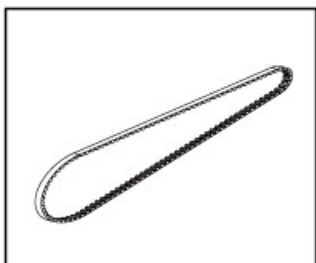
PD10-0025 TRIPLE CLAMP SET



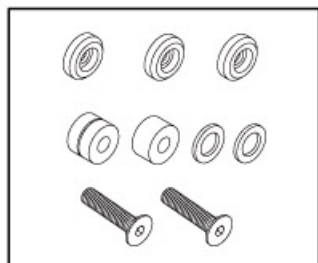
PD10-0026 SLIDER MOUNT SET



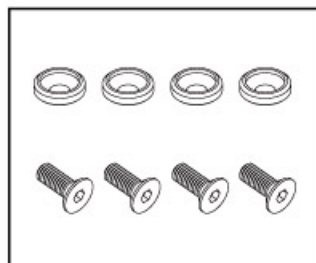
PD10-0027 SERVO WIRE EXTENDER (15cm)



PD10-0028 DRIVE BELT (360T)



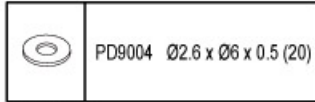
PD10-0029 ALUMINUM SPACER SET



PD10-0030 CONE WASHER SET



# SUPERBIKE SPARE PARTS



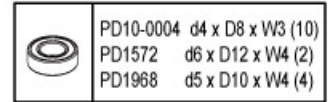
WASHER



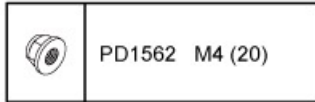
FLANGE BEARING



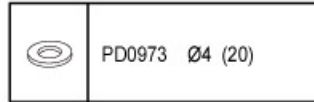
BODY CLIPS



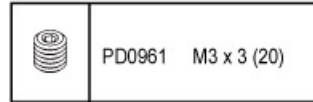
BALL BEARING



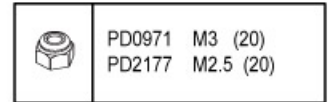
LOCK NUT



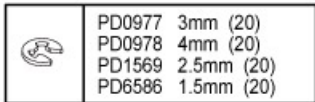
WASHER



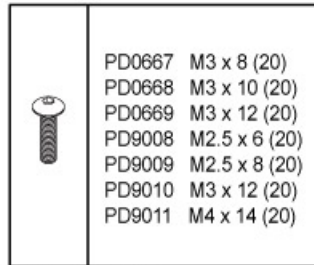
SET SCREW



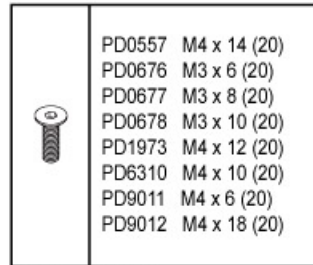
LOCK NUT



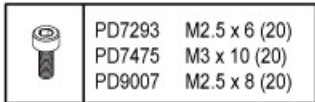
E-CLIP



BHCS SCREW



FHCS SCREW



SHCS SCREW





# SUPERBIKE SPARE PART LIST



PART#	DESCRIPTION	NOTE
PD02-0005	BELT PULLEY SET	
PD02-0006	SPUR GEAR SET (87T)	
PD04-0002	BALLSTUD SET	
PD05-0010	SLIPPER SET	
PD05-0011	FRONT AXLE SET	
PD05-0012	REAR AXLE SET	
PD0557	FHCS SCREW(20), M4 x 14	
PD06-0004	SERVO HORN SET	
PD06-0005	STEERING HEAD	
PD06-0006	SERVO MOUNT	
PD0667	BHCS SCREW(20), M3 x 8	
PD0668	BHCS SCREW(20),M3 x 10	
PD0669	BHCS SCREW(20),M3 x 12	
PD0676	FHCS SCREW(20),M3 x 6	
PD0677	FHCS SCREW(20),M3 x 8	
PD0678	FHCS SCREW(20),M3 x 10	
PD07-0007	SHOCK ABSORBER KIT	
PD07-0008	STEERING DAMPER KIT	
PD07-0009	SHOCK O-RING / BLADDER SET	
PD07-0010	SHOCK PLASTIC SET	
PD08-0006	WHEEL HUB SET	
PD08-0007	WHEEL RIM SET	
PD08-0008	TIRE INSERT SET	
PD08-0009	TIRE SET	
PD09-0010	BATTERY BOX	
PD09-0011	FRONT SUSPENSION ARMS	
PD09-0012	REAR SWINGARM	
PD09-0013	SHOCK MOUNT SET	
PD09-0014	RECEIVER MOUNT	
PD09-0015	SLIDER MOUNT EXTENDER SET	
PD09-0016	FORK LEGS (SHORT)	
PD09-0017	SWINGARM LEGS (SHORT)	
PD09-0018	FRONT FRAME SET (-5)	
PD09-0019	REAR FRAME SET	
PD09-0020	BODY / RIDER SET	
PD09-0021	HELMET SET	
PD09-0022	REPLACEMENT FRONT FAIRING	
PD09-0023	BATTERY COVER	
PD0961	SET SCREWS(20), M3 x 3	
PD0971	LOCK NUT(20), M3	
PD0973	WASHER(20), 4mm	
PD0977	E-CLIP(20),3mm	
PD0978	E-CLIP(20), 4mm	
PD10-0004	BEARING(10), d4 x D8 x W3	
PD10-0019	BIKE STAND SET	
PD10-0020	BODY MOUNT SET	
PD10-0021	BELT TENSIONER SET	
PD10-0022	HINGE PIN SET	
PD10-0023	HINGE PIN BUSHING SET	
PD10-0024	NYLON SLIDER	
PD10-0025	TRIPLE CLAMP SET	
PD10-0026	SLIDER MOUNT SET	
PD10-0027	SERVO WIRE EXTENDER (15cm)	
PD10-0028	DRIVE BELT (360T)	
PD10-0029	ALUMINUM SPACER SET	
PD10-0030	CONE WASHER SET	
PD1562	LOCK NUT(20), FLANGE M4	
PD1569	E-CLIP(20), 2.5mm	
PD1572	BALL BEARING(4), 6 x 12 x 4	



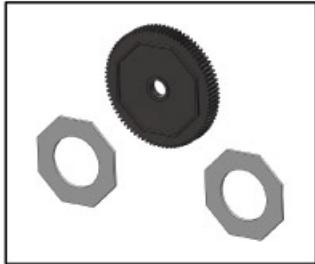
# SUPERBIKE SPARE PART LIST



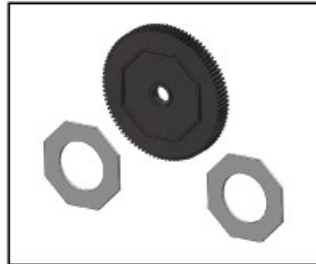
PART#	DESCRIPTION	NOTE
PD1968	BEARING(4), d5 x D10 x W4	
PD1973	FHCS SCREW(20), M4 x 12	
PD2177	LOCK NUT(20), M2.5	
PD6310	FHCS SCREW(20), M4 x 10	
PD6586	E-CLIP(20), 15mm	
PD7035	MOTOR PINION GEAR, 21T	
PD7293	SHCS SCREW (20) M2.5 x 6	
PD7475	SHCS SCREW(20), M3 x 10	
PD9004	WASHER BAG	
PD9005	FLANGE BEARING	
PD9006	SHCS SCREW(20), M2.5 x 8	
PD9007	BHCS SCREW(20), M2.5 x 6	
PD9008	BHCS SCREW(20), M2.5 x 8	
PD9009	BHCS SCREW(20), M3 x 12	
PD9010	BHCS SCREW(20), M4 x 14	
PD9011	FHCS SCREW(20), M4 x 6	
PD9012	FHCS SCREW(20), M4 x 18	



# SUPERBIKE OPTION PARTS



PD02-0007 SPUR GEAR SET (81T)



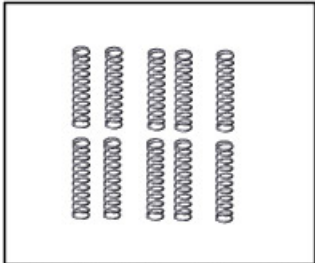
PD02-0008 SPUR GEAR SET (93T)



PD06-0007 FRONT BRAKE KIT



PD07-0011 SHOCK SPRING SET



PD07-0012 STEERING SPRING SET



PD08-0010 ALUMINUM WHEEL HUB (F)



PD08-0011 ALUMINUM WHEEL HUB (R)



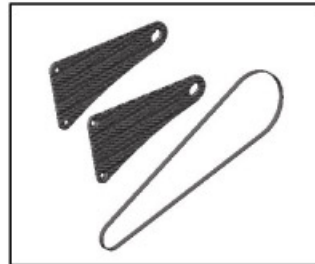
PD08-0012 WHEEL WEIGHTS (F)



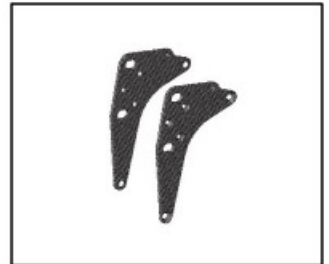
PD08-0013 WHEEL WEIGHTS (R)



PD09-0024 FORK LEGS (LONG)



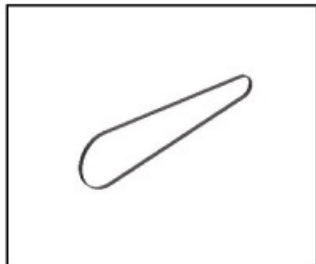
PD09-0025 SWINGARM LEGS (LONG)



PD09-0026 FRONT FRAME SET (+0)



PD10-0031 SLIDER WHEEL SET



PD10-0032 DRIVE BELT (378)



# SUPERBIKE OPTION PART LIST



PART#	DESCRIPTION	NOTE
PD02-0007	SPUR GEAR SET (81T)	
PD02-0008	SPUR GEAR SET (93T)	
PD06-0007	FRONT BRAKE KIT	
PD07-0011	SHOCK SPRING SET	
PD07-0012	STEERING SPRING SET	
PD08-0010	ALUMINUM WHEEL HUB (F)	
PD08-0011	ALUMINUM WHEEL HUB (R)	
PD08-0012	WHEEL WEIGHTS (F)	
PD08-0013	WHEEL WEIGHTS (R)	
PD09-0024	FORK LEGS (LONG)	
PD09-0025	SWINGARM LEGS (LONG)	
PD09-0026	FRONT FRAME SET (+0)	
PD10-0031	SLIDER WHEEL SET	
PD10-0032	DRIVE BELT (378)	

**FRONT SUSPENSION**

SHOCK SPRING [F] \_\_\_\_\_  
 SHOCK PISTON [F] \_\_\_\_\_  
 SHOCK OIL [F] \_\_\_\_\_  
 SHOCK MOUNT [F] \_\_\_\_\_  
 FORK LENGTH \_\_\_\_\_  
 ARM MOUNT PLATE \_\_\_\_\_  
 ARM BUSHING [TOP] \_\_\_\_\_  
 ARM BUSHING [LOW] \_\_\_\_\_  
 RIDE HEIGHT [F] \_\_\_\_\_

**REAR SUSPENSION**

SHOCK SPRING [R] \_\_\_\_\_  
 SHOCK PISTON [R] \_\_\_\_\_  
 SHOCK OIL [R] \_\_\_\_\_  
 SHOCK MOUNT [R] \_\_\_\_\_  
 SWINGARM LENGTH \_\_\_\_\_  
 LEAN ANGLE \_\_\_\_\_  
 CRASH BAR POS. \_\_\_\_\_  
 RIDE HEIGHT [R] \_\_\_\_\_

**STEERING**

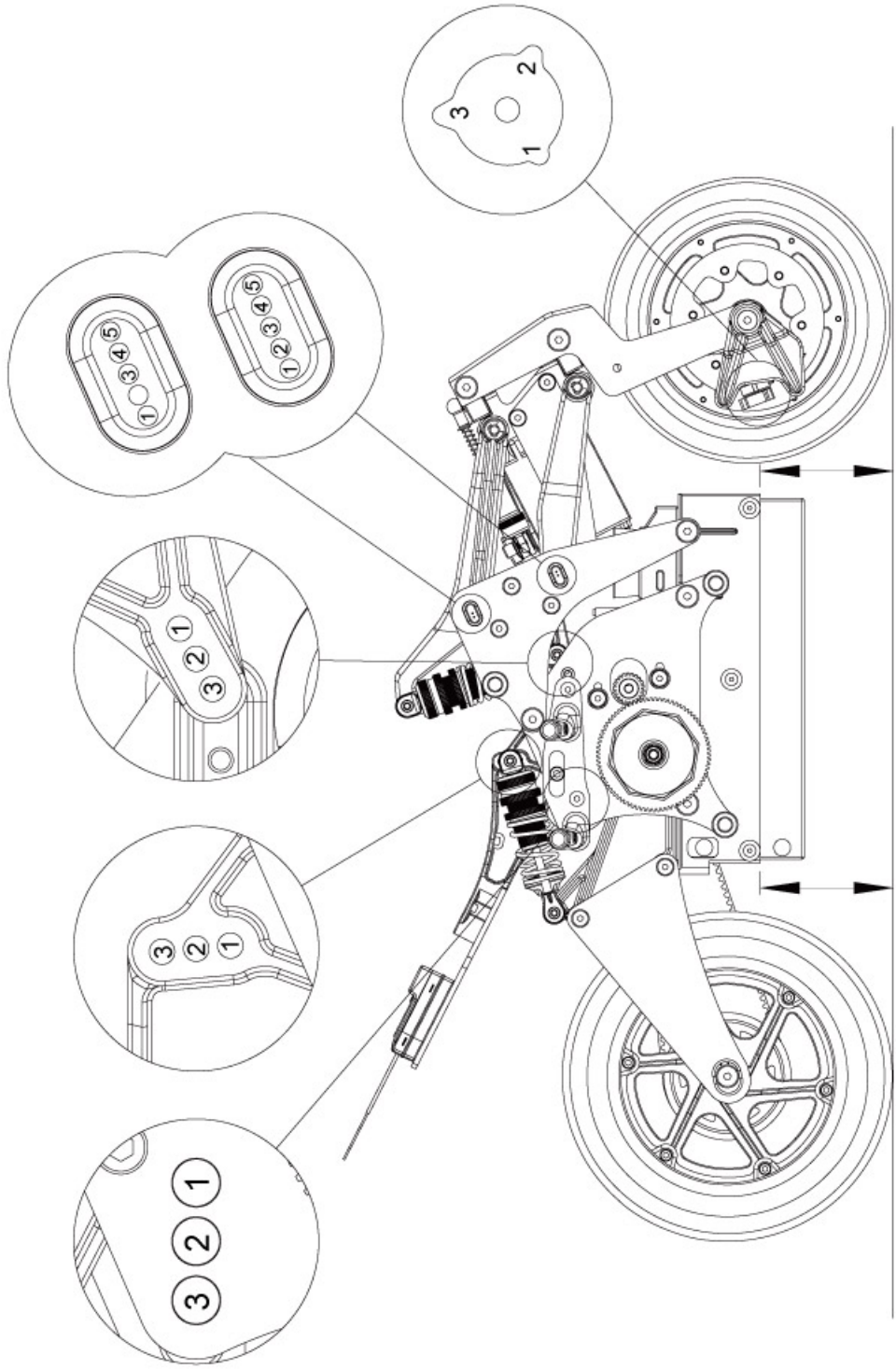
STEERING SPRING \_\_\_\_\_  
 ST. DAMPER OIL \_\_\_\_\_  
 STEERING D / R \_\_\_\_\_  
 STEERING ATV \_\_\_\_\_  
 STEERING EXP \_\_\_\_\_

**BRAKES**

BRAKE CAM \_\_\_\_\_  
 BRAKE ATV [F] \_\_\_\_\_  
 BRAKE ATV [R] \_\_\_\_\_  
 BRAKE EXP \_\_\_\_\_

**POWER**

BATTERY \_\_\_\_\_  
 MOTOR \_\_\_\_\_  
 PINION \_\_\_\_\_  
 SPUR \_\_\_\_\_  
 SLIPPER \_\_\_\_\_  
 THROTTLE ATV \_\_\_\_\_  
 THROTTLE EXP \_\_\_\_\_



**DRIVER**

**TRACK**

**EVENT**

**CONDITIONS**

**COMMENTS**

**DATE**



**TIRES**

TIRE [FRONT] \_\_\_\_\_  
 INSERT [FRONT] \_\_\_\_\_  
 TIRE [REAR] \_\_\_\_\_  
 INSERT [REAR] \_\_\_\_\_

